

NCPP

Nickel Cadmium Pocket Plate Batteries



Block Battery Catalogue



Introduction:

HBL's Nickel Cadmium Pocket Plate battery designs are based on the superior pocket plate technology.

A fully integrated modern factory, supported by strong process management and quality controls makes HBL one of the best Nickel Cadmium battery production facilities in the world.

HBL's block batteries are offered in multiple voltage choices and in wide capacity range.

NCPP block battery range is designed to comply with IS 10918 & IEC 60623.

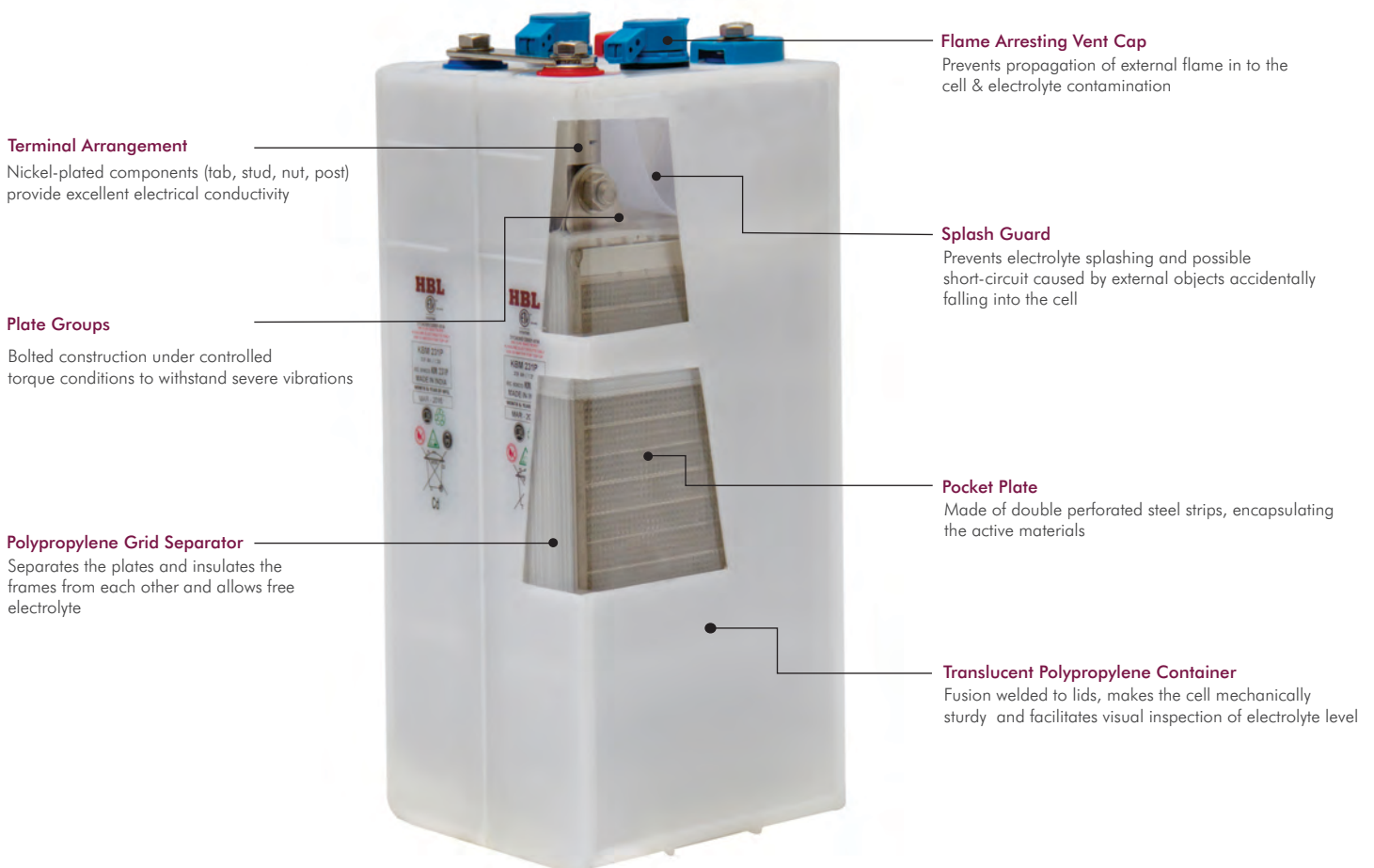
Construction

The internal mechanical structure is made of nickel plated steel making it highly rugged and capable of withstanding mechanical abuses. The active materials are encapsulated between specially designed folded steel strips, which are perforated on both sides. This design increases the effective surface area by 30% which in turn results in effective utilization of active material and makes the battery more efficient.

Block batteries use special polypropylene separator system, which is chemically inert and highly immune to wear and tear. Batteries come in tough, shock resistant, fusion welded polypropylene containers and lids. A unique flame arresting flip type vent cap in the batteries prevents any unusual event and electrolyte contamination.

Block batteries are supplied either in filled condition (charged or discharged) or dry & discharged condition with inter-cell connectors, cable connectors, associated hardware and accessories that are required for normal operation and maintenance. Powder coated Mild Steel racks to house the batteries can be provided as an option.

Cut-view of cell:



Benefits

- ❖ High reliability
- ❖ Long float life - 20 years+ at 20° C for standby applications
- ❖ Long shelf life - 5 years+ for the cells supplied in dry condition & 1 year in filled condition
- ❖ Quick charging - More than 90 % capacity available within 6 hours of charging
- ❖ Low internal resistance - For enhanced battery performance
- ❖ Resistant to mechanical & electrical abuses - Making it ideal for deployment in harsh environments
- ❖ Wide operating temperature range (-20°C to +50°C)
- ❖ Application specific designs (KBH, KBM & KBL)
- ❖ Easy installation & low maintenance
- ❖ Best TCO (Total Cost of Ownership) for demanding application needs
- ❖ No risk of sudden death failure

Capacity Range

High Discharge - KBH:

- ❖ Thin plates with more plate surface area
- ❖ For high discharge applications with less than 1 hour backup time requirements
- ❖ 9 Ah to 990 Ah
- ❖ 77 standard cell models to choose from

Medium Discharge - KBM:

- ❖ Optimized plate thickness
- ❖ For medium discharge applications, between 1 to 3 hours backup time requirements which involves high and long discharges
- ❖ 12 Ah to 1460 Ah
- ❖ 72 standard cell models to choose from

Long Discharge - KBL:

- ❖ Thick plates with more amount of active material
- ❖ For long discharge applications, with more than 3 hours backup time requirements
- ❖ 8 Ah to 1680 Ah
- ❖ 73 standard cell models to choose from



Applications

Block battery range is specially designed for industrial markets considering the reliability, cost-optimization and low-maintenance requirements for the following applications and segments

- ❖ Fire alarm systems
- ❖ Signaling and Telecommunications
- ❖ Solar Photovoltaic
- ❖ Instrumentation & Process control
- ❖ Switchgear protection
- ❖ Emergency lighting
- ❖ Switchyard
- ❖ UPS
- ❖ Genset starting
- ❖ Diesel Locomotive cranking
- ❖ Electromagnetic lifters (EOT crane)

Battery Charging

Following are recommended charge conditions:

Commissioning Charge:

- ❖ Constant current charge of 10 hours at 0.2 C₅ A (20 amps for 100 Ah battery)

Quick Charging:

- ❖ Constant current charge at 0.4 C₅ A for first 2.5 hours followed by 0.2 C₅ A for next 2.5 hours

Charging in Operation:

The recommended charging voltages for continuous parallel operation, with occasional battery discharges:

Two Level Charging:

- ❖ Float level:
 - 1.40 V/cell for KBH & KBM
 - 1.42 V/cell for KBL
 - Float charging current: 1 to 2 mA per Ah
- ❖ *Boost level:
 - 1.45 to 1.70 V/cell for KBH & KBM
 - 1.47 to 1.70 V/cell for KBL
 - Current limit: 0.2C₅ A

Single Level Charging:

- ❖ 1.43 – 1.50 V/cell
(may increase water consumption)
- * Refer charge curves at page#13
(A higher voltage will keep the battery at high state of charge)



H Range

Cell dimensions and weight details

Cell type	Capacity (C ₅ Ah)	Cell dimensions in mm					Approx. weight per cell in kg	Cell connection bolt size	Container size reference	Approx. reserve electrolyte cc/cell
		Height	Width	Length per block						
				1.2 V L (1)	2.4 V L (2)	3.6 V L (3)				
KBH 9 P	9	264	123		69	100	1.40	M6	B21-1	90
KBH 13 P	13	264	123		79	115	1.60	M6	B22-1	110
KBH 17 P	17			1.80						
KBH 21 P	21	264	123		103	151	2.20	M6	B23-1	145
KBH 30 P	30	264	123		127	187	2.90	M6	B24-1	185
KBH 34 P	34			2.80						
KBH 40 P	40	405	195		79	115	4.40	M10	B45-1	280
KBH 50 P	50			4.80						
KBH 54 P	54	349	195		103	151	5.20	M10	B33-1	380
KBH 59 P	59			5.30						
KBH 64 P	64	349	195		127	187	6.20	M10	B32-1	515
KBH 69 P	69			6.40						
KBH 79 P	79			6.60						
KBH 88 P	88	349	195		159	232	7.90	M10	B31B-1	650
KBH 98 P	98			8.30						
KBH 103 P	103			8.40						
KBH 110 P	110	349	195		183	268	9.20	M10	B31-1	745
KBH 118 P	118			9.30						
KBH 127 P	127	349	195	132	252	372	12.5	2 x M10	B32-2	1030
KBH 137 P	137						12.9			
KBH 147 P	147						13.0			
KBH 157 P	157						13.1			
KBH 170 P	170	349	195	159	304		15.2	2 x M10	B31B-2	1300
KBH 177 P	177						15.7			
KBH 185 P	185						15.8			
KBH 196 P	196						16.7			
KBH 206 P	206						16.8			
KBH 218 P	218	349	195	183	352		18.4	2 x M10	B31-2	1490
KBH 236 P	236						18.5			
KBH 245 P	245						18.5			
KBH 255 P	255	405	195	159	304		19.0	2 x M10	B41B-2	1300
KBH 265 P	265						19.1			
KBH 275 P	275						20.0			
KBH 290 P	290	405	195	183	352		22.9	2 x M10	B41-2	1490
KBH 300 P	300						22.1			
KBH 315 P	315						22.2			
KBH 330 P	330						22.3			
KBH 353 P	353	349	195	268			27.5	3 x M10	B31-3	2235
KBH 362 P	362						27.6			

H Range

Cell dimensions and weight details

Cell type	Capacity (C _s Ah)	Cell dimensions in mm					Approx. weight per cell in kg	Cell connection bolt size	Container size reference	Approx. reserve electrolyte cc/cell
		Height	Width	Length per block						
				1.2 V L (1)	2.4 V L (2)	3.6 V L (3)				
KBH 375 P	375	405	195	232			28.3	3 x M10	B41B-3	1950
KBH 393 P	393						28.4			
KBH 410 P	410						29.6			
KBH 420 P	420	405	195	268			31.5	3 x M10	B41-3	2235
KBH 430 P	430						32.9			
KBH 450 P	450						33.0			
KBH 471 P	471						33.2			
KBH 481 P	481						33.3			
KBH 491 P	491						33.4			
KBH 510 P	510						37.6			
KBH 530 P	530	405	195	304			37.7	4 x M10	B41B-4	2600
KBH 540 P	540						39.3			
KBH 560 P	560						39.5			
KBH 575 P	575						43.6			
KBH 590 P	590	405	195	352			43.7	4 x M10	B41-4	2980
KBH 600 P	600						43.8			
KBH 615 P	615						43.9			
KBH 630 P	630						44.0			
KBH 640 P	640						44.1			
KBH 655 P	655						44.3			
KBH 670 P	670						47.3			
KBH 680 P	680	405	195	377			49.1	5 x M10	B41B-5	3250
KBH 690 P	690						49.3			
KBH 705 P	705						52.6			
KBH 725 P	725	405	195	437			54.4	5 x M10	B41-5	3725
KBH 755 P	755						54.6			
KBH 765 P	765						54.8			
KBH 785 P	785						55.0			
KBH 800 P	800						55.1			
KBH 825 P	825						55.3			
KBH 840 P	840						62.8			
KBH 865 P	865	405	195	522			65.4	6 x M10	B41-6	4470
KBH 890 P	890						65.5			
KBH 910 P	910						65.6			
KBH 920 P	920						65.6			
KBH 930 P	930						65.9			
KBH 950 P	950						66.1			
KBH 990 P	990						66.3			

Performance data of KBH range in Amperes

After fully charged with constant current charging at +20°C ±5°C (+68°F ± 9°F)

Final Cell Voltage: 1.14 V

Cell Type	C ₅ Ah	Hours							Minutes					Seconds			
		10	8	5	3	2	1.5	1	30	20	15	10	5	60	30	5	1
KBH 9 P	9	0.85	1.07	1.67	2.73	3.99	5.16	7.29	10.9	13.3	15.0	17.6	22.3	35.2	40.7	50.7	53.2
KBH 13 P	13	1.23	1.55	2.41	3.94	5.76	7.45	10.5	15.7	19.2	21.7	25.4	32.2	50.8	58.8	73.3	76.9
KBH 17 P	17	1.60	2.02	3.16	5.15	7.53	9.74	13.8	20.6	25.1	28.4	33.3	42.1	66.4	76.9	95.9	101
KBH 21 P	21	1.98	2.50	3.90	6.36	9.31	12.0	17.0	25.4	31.0	35.1	41.1	52.0	82.0	95.0	118	124
KBH 30 P	30	2.83	3.57	5.57	9.09	13.3	17.2	24.3	36.3	44.4	50.1	58.7	74.4	117	136	169	177
KBH 34 P	34	3.20	4.05	6.31	10.3	15.1	19.5	27.5	41.1	50.3	56.8	66.6	84.3	133	154	192	201
KBH 40 P	40	3.77	4.76	7.56	12.2	17.7	22.9	32.0	47.3	57.4	64.4	74.5	94.1	142	162	192	198
KBH 50 P	50	4.71	5.95	9.45	15.3	22.1	28.6	40.0	59.1	71.7	80.5	93.2	118	177	203	240	248
KBH 54 P	54	5.09	6.43	10.2	16.5	24.0	31.0	43.8	65.3	79.9	90.2	106	134	211	244	305	319
KBH 59 P	59	5.56	7.02	11.2	18.0	26.2	33.8	47.8	71.4	87.3	98.5	116	146	230	267	333	349
KBH 64 P	64	6.03	7.62	12.1	19.5	28.4	36.7	51.9	77.4	94.7	107	125	159	250	289	361	378
KBH 69 P	69	6.50	8.21	13.0	21.0	30.6	39.6	55.9	83.5	102	115	135	171	269	312	389	408
KBH 79 P	79	7.45	9.40	14.9	24.1	35.0	45.3	64.0	95.6	117	132	155	196	308	357	445	467
KBH 88 P	88	8.29	10.5	16.6	26.8	39.0	50.5	71.3	106	130	147	172	218	343	398	496	520
KBH 98 P	98	9.24	11.7	18.5	29.9	43.5	56.2	79.4	119	145	164	192	243	382	443	553	580
KBH 103 P	103	9.71	12.3	19.5	31.4	45.7	59.1	83.5	125	152	172	202	256	402	466	581	609
KBH 110 P	110	10.4	13.1	20.8	33.6	48.8	63.1	89.2	133	163	184	215	273	429	497	620	650
KBH 118 P	118	11.1	14.0	22.3	36.0	52.3	67.7	95.6	143	175	197	231	293	460	534	665	698
KBH 127 P	127	12.0	15.1	24.0	38.7	56.3	72.8	103	154	188	212	249	315	495	574	716	751
KBH 137 P	137	12.9	16.3	25.9	41.8	60.8	78.5	111	166	203	229	268	340	534	620	773	810
KBH 147 P	147	13.9	17.5	27.8	44.8	65.2	84.3	119	178	217	245	288	365	573	665	829	869
KBH 157 P	157	14.8	18.7	29.7	47.9	69.7	90.0	127	190	232	262	307	390	612	710	885	928
KBH 170 P	170	16.0	20.2	32.1	51.9	75.4	97.5	138	206	251	284	333	422	663	769	959	1005
KBH 177 P	177	16.7	21.1	33.5	54.0	78.5	101	143	214	262	295	347	439	690	800	998	1047
KBH 185 P	185	17.4	22.0	35.0	56.4	82.1	106	150	224	274	309	362	459	721	837	1043	1094
KBH 196 P	196	18.5	23.3	37.1	59.8	87.0	112	159	237	290	327	384	486	764	886	1105	1159
KBH 206 P	206	19.4	24.5	38.9	62.8	91.4	118	167	249	305	344	403	511	803	932	1162	1218
KBH 218 P	218	20.5	25.9	41.2	66.5	96.7	125	177	264	322	364	427	541	850	986	1229	1289
KBH 236 P	236	22.2	28.1	44.6	72.0	105	135	191	286	349	394	462	586	920	1067	1331	1396
KBH 245 P	245	23.1	29.2	46.3	74.7	109	140	199	296	362	409	480	608	955	1108	1382	1449
KBH 255 P	255	24.0	30.3	48.2	77.8	113	146	204	301	366	411	475	600	905	1035	1223	1265
KBH 265 P	265	25.0	31.5	50.1	80.9	117	152	212	313	380	427	494	624	940	1076	1270	1315
KBH 275 P	275	25.9	32.7	52.0	83.9	122	157	220	325	395	443	512	647	976	1117	1318	1364
KBH 290 P	290	27.3	34.5	54.8	88.5	128	166	232	343	416	467	540	682	1029	1177	1390	1439
KBH 300 P	300	28.3	35.7	56.7	91.5	133	172	240	355	430	483	559	706	1064	1218	1438	1488
KBH 315 P	315	29.7	37.5	59.6	96.1	139	180	252	372	452	507	587	741	1117	1279	1510	1563
KBH 330 P	330	31.1	39.3	62.4	101	146	189	264	390	473	531	615	777	1171	1340	1582	1637
KBH 353 P	353	33.3	42.0	66.7	108	157	202	286	427	522	589	691	876	1376	1596	1991	2087
KBH 362 P	362	34.1	43.1	68.4	110	161	208	293	438	536	604	709	898	1411	1637	2041	2141

Performance data of KBH range in Amperes

After fully charged with constant current charging at +20°C ±5°C (+68°F ± 9°F)

Final Cell Voltage: 1.14 V

Cell Type	C ₅ Ah	Hours							Minutes					Seconds			
		10	8	5	3	2	1.5	1	30	20	15	10	5	60	30	5	1
KBH 375 P	375	35.3	44.6	70.9	114	166	215	300	443	538	604	699	882	1330	1523	1798	1861
KBH 393 P	393	37.0	46.8	74.3	120	174	225	314	465	564	633	732	925	1394	1596	1884	1950
KBH 410 P	410	38.6	48.8	77.5	125	181	235	328	485	588	660	764	965	1454	1665	1966	2034
KBH 420 P	420	39.6	50.0	79.4	128	186	240	336	496	603	676	783	988	1490	1705	2014	2084
KBH 430 P	430	40.5	51.2	81.3	131	190	246	344	508	617	692	801	1012	1525	1746	2062	2134
KBH 450 P	450	42.4	53.6	85.1	137	199	258	360	532	646	725	839	1059	1596	1827	2157	2233
KBH 471 P	471	44.4	56.1	89.1	144	208	270	377	557	676	758	878	1108	1671	1912	2258	2337
KBH 481 P	481	45.3	57.2	90.9	147	213	275	385	569	690	775	896	1132	1706	1953	2306	2387
KBH 491 P	491	46.3	58.4	92.8	150	217	281	393	580	704	791	915	1155	1742	1993	2354	2436
KBH 510 P	510	48.1	60.7	96.4	156	226	292	408	603	732	821	950	1200	1809	2071	2445	2530
KBH 530 P	530	50.0	63.1	100	162	234	303	424	626	760	853	988	1247	1880	2152	2541	2630
KBH 540 P	540	50.9	64.3	102	165	239	309	432	638	775	870	1006	1271	1916	2192	2589	2679
KBH 560 P	560	52.8	66.6	106	171	248	321	448	662	803	902	1044	1318	1987	2274	2685	2779
KBH 575 P	575	54.2	68.4	109	175	254	329	460	680	825	926	1071	1353	2040	2335	2757	2853
KBH 590 P	590	55.6	70.2	112	180	261	338	472	697	846	950	1099	1388	2093	2395	2829	2927
KBH 600 P	600	56.6	71.4	113	183	265	343	480	709	861	966	1118	1412	2128	2436	2877	2977
KBH 615 P	615	58.0	73.2	116	188	272	352	492	727	882	990	1146	1447	2182	2497	2948	3051
KBH 630 P	630	59.4	75.0	119	192	279	361	504	745	904	1014	1174	1482	2235	2558	3020	3126
KBH 640 P	640	60.3	76.2	121	195	283	366	512	757	918	1031	1193	1506	2270	2598	3068	3175
KBH 655 P	655	61.7	77.9	124	200	290	375	524	774	940	1055	1221	1541	2324	2659	3140	3250
KBH 670 P	670	63.1	79.7	127	204	296	383	536	792	961	1079	1248	1577	2377	2720	3212	3324
KBH 680 P	680	64.1	80.9	129	207	301	389	544	804	976	1095	1267	1600	2412	2761	3260	3374
KBH 690 P	690	65.0	82.1	130	211	305	395	552	816	990	1111	1286	1624	2448	2801	3308	3424
KBH 705 P	705	66.4	83.9	133	215	312	403	564	833	1011	1135	1314	1659	2501	2862	3380	3498
KBH 725 P	725	68.3	86.3	137	221	321	415	580	857	1040	1167	1351	1706	2572	2944	3476	3597
KBH 755 P	755	71.2	89.8	143	230	334	432	604	892	1083	1216	1407	1777	2678	3065	3620	3746
KBH 765 P	765	72.1	91.0	145	233	338	438	612	904	1098	1232	1426	1800	2714	3106	3668	3796
KBH 785 P	785	74.0	93.4	148	240	347	449	628	928	1126	1264	1463	1847	2785	3187	3764	3895
KBH 800 P	800	75.4	95.2	151	244	354	458	640	946	1148	1288	1491	1882	2838	3248	3835	3969
KBH 825 P	825	77.8	98.2	156	252	365	472	660	975	1184	1329	1537	1941	2927	3350	3955	4093
KBH 840 P	840	79.2	100	159	256	371	481	672	993	1205	1353	1565	1977	2980	3410	4027	4168
KBH 865 P	865	81.5	103	164	264	382	495	692	1022	1241	1393	1612	2035	3069	3512	4147	4292
KBH 890 P	890	83.9	106	168	272	394	509	712	1052	1277	1433	1658	2094	3157	3613	4267	4416
KBH 910 P	910	85.8	108	172	278	402	521	728	1076	1306	1465	1696	2141	3228	3695	4363	4515
KBH 920 P	920	86.7	109	174	281	407	527	736	1087	1320	1481	1714	2165	3264	3735	4411	4565
KBH 930 P	930	87.7	111	176	284	411	532	744	1099	1334	1498	1733	2188	3299	3776	4459	4614
KBH 950 P	950	89.5	113	180	290	420	544	760	1123	1363	1530	1770	2235	3370	3857	4555	4714
KBH 990 P	990	93.3	118	187	302	438	567	792	1170	1420	1594	1845	2330	3512	4019	4746	4912

Performance data of KBH range in Amperes

After fully charged with constant current charging at +20°C ±5°C (+68°F ± 9°F)

Final Cell Voltage: 1.10 V

Cell Type	C ₅ Ah	Hours							Minutes					Seconds			
		10	8	5	3	2	1.5	1	30	20	15	10	5	60	30	5	1
KBH 9 P	9	0.88	1.11	1.73	2.83	4.17	5.45	7.82	13.0	15.9	18.1	21.3	26.7	41.0	47.5	57.9	62.1
KBH 13 P	13	1.27	1.60	2.50	4.09	6.02	7.87	11.3	18.8	23.0	26.2	30.7	38.6	59.2	68.7	83.6	89.7
KBH 17 P	17	1.66	2.09	3.27	5.35	7.87	10.3	14.8	24.6	30.1	34.2	40.1	50.5	77.4	89.8	109	117
KBH 21 P	21	2.05	2.58	4.03	6.61	9.73	12.7	18.3	30.4	37.1	42.3	49.6	62.4	95.6	111	135	145
KBH 30 P	30	2.92	3.69	5.76	9.44	13.9	18.2	26.1	43.5	53.0	60.4	70.8	89.1	137	158	193	207
KBH 34 P	34	3.31	4.18	6.53	10.7	15.7	20.6	29.6	49.3	60.1	68.5	80.3	101	155	180	219	234
KBH 40 P	40	3.90	4.92	7.81	12.8	18.6	24.3	34.8	57.1	68.7	78.1	90.6	111	166	190	226	237
KBH 50 P	50	4.87	6.15	9.76	16.0	23.2	30.3	43.5	71.4	85.9	97.6	113	139	208	237	282	296
KBH 54 P	54	5.26	6.64	10.5	17.3	25.0	32.7	47.0	78.2	95.6	109	128	161	246	285	348	371
KBH 59 P	59	5.75	7.26	11.5	18.9	27.3	35.7	51.3	85.5	104	119	139	175	269	311	380	405
KBH 64 P	64	6.24	7.87	12.5	20.5	29.7	38.8	55.6	92.7	113	129	151	190	291	338	412	440
KBH 69 P	69	6.73	8.49	13.5	22.1	32.0	41.8	60.0	99.9	122	140	163	205	314	364	444	474
KBH 79 P	79	7.70	9.72	15.4	25.3	36.6	47.9	68.7	114	140	160	187	235	360	417	508	543
KBH 88 P	88	8.58	10.8	17.2	28.2	40.8	53.3	76.5	127	156	178	208	262	401	464	566	605
KBH 98 P	98	9.55	12.1	19.1	31.4	45.4	59.4	85.2	142	173	198	231	291	446	517	631	673
KBH 103 P	103	10.0	12.7	20.1	33.0	47.7	62.4	89.6	149	182	208	243	306	469	543	663	708
KBH 110 P	110	10.7	13.5	21.4	35.2	51.0	66.6	95.6	159	195	223	260	327	501	580	708	756
KBH 118 P	118	11.5	14.5	23.0	37.8	54.7	71.5	103	171	209	239	279	351	537	622	759	811
KBH 127 P	127	12.4	15.6	24.8	40.7	58.8	76.9	110	184	225	257	300	377	578	670	817	873
KBH 137 P	137	13.4	16.8	26.7	43.9	63.5	83.0	119	198	242	277	324	407	624	723	882	941
KBH 147 P	147	14.3	18.1	28.7	47.1	68.1	89.1	128	213	260	297	347	437	669	775	946	1010
KBH 157 P	157	15.3	19.3	30.6	50.3	72.7	95.1	137	227	278	318	371	467	715	828	1011	1079
KBH 170 P	170	16.6	20.9	33.1	54.4	78.8	103	148	246	301	344	402	505	774	897	1094	1168
KBH 177 P	177	17.3	21.8	34.5	56.7	82.0	107	154	256	313	358	418	526	806	934	1139	1216
KBH 185 P	185	18.0	22.8	36.1	59.2	85.7	112	161	268	327	374	437	550	842	976	1191	1271
KBH 196 P	196	19.1	24.1	38.2	62.7	90.8	119	170	284	347	397	463	583	892	1034	1262	1347
KBH 206 P	206	20.1	25.3	40.2	65.9	95.5	125	179	298	365	417	487	612	938	1086	1326	1415
KBH 218 P	218	21.2	26.8	42.5	69.8	101	132	190	316	386	441	515	648	993	1150	1403	1498
KBH 236 P	236	23.0	29.0	46.0	75.5	109	143	205	342	418	477	557	701	1074	1245	1519	1621
KBH 245 P	245	23.9	30.1	47.8	78.4	114	148	213	355	434	496	579	728	1115	1292	1577	1683
KBH 255 P	255	24.9	31.4	49.8	81.6	118	155	222	364	438	498	577	710	1061	1209	1438	1510
KBH 265 P	265	25.8	32.6	51.7	84.8	123	161	231	379	455	517	600	738	1102	1256	1494	1569
KBH 275 P	275	26.8	33.8	53.7	88.0	128	167	239	393	472	537	623	766	1144	1303	1551	1629
KBH 290 P	290	28.3	35.7	56.6	92.8	135	176	252	414	498	566	657	808	1206	1374	1635	1717
KBH 300 P	300	29.2	36.9	58.5	96.0	139	182	261	429	515	586	679	835	1248	1422	1692	1777
KBH 315 P	315	30.7	38.8	61.5	101	146	191	274	450	541	615	713	877	1310	1493	1776	1865
KBH 330 P	330	32.2	40.6	64.4	106	153	200	287	471	567	644	747	919	1373	1564	1861	1954
KBH 353 P	353	34.4	43.4	68.8	113	164	214	307	511	625	714	834	1049	1607	1862	2272	2425
KBH 362 P	362	35.3	44.5	70.6	116	168	219	315	524	641	732	855	1076	1648	1909	2330	2487

Performance data of KBH range in Amperes

After fully charged with constant current charging at +20°C ±5°C (+68°F ± 9°F)

Final Cell Voltage: 1.10 V

Cell Type	C ₅ Ah	Hours							Minutes					Seconds			
		10	8	5	3	2	1.5	1	30	20	15	10	5	60	30	5	1
KBH 375 P	375	36.5	46.1	73.2	120	174	228	326	536	644	732	849	1044	1560	1777	2114	2221
KBH 393 P	393	38.3	48.3	76.7	126	182	238	342	561	675	767	890	1094	1635	1863	2216	2327
KBH 410 P	410	40.0	50.4	80.0	131	190	249	357	586	704	800	929	1142	1706	1943	2312	2428
KBH 420 P	420	40.9	51.7	82.0	134	195	255	365	600	721	820	951	1170	1747	1991	2368	2487
KBH 430 P	430	41.9	52.9	83.9	138	200	261	374	614	738	839	974	1198	1789	2038	2424	2547
KBH 450 P	450	43.9	55.4	87.8	144	209	273	392	643	773	878	1019	1253	1872	2133	2537	2665
KBH 471 P	471	45.9	57.9	91.9	151	219	286	410	673	809	919	1067	1312	1959	2232	2656	2789
KBH 481 P	481	46.9	59.2	93.9	154	223	292	418	687	826	939	1089	1340	2001	2280	2712	2849
KBH 491 P	491	47.9	60.4	95.8	157	228	298	427	701	843	958	1112	1367	2043	2327	2768	2908
KBH 510 P	510	49.7	62.7	99.5	163	237	309	444	729	876	995	1155	1420	2122	2417	2876	3020
KBH 530 P	530	51.7	65.2	103	170	246	322	461	757	910	1034	1200	1476	2205	2512	2988	3139
KBH 540 P	540	52.6	66.4	105	173	251	328	470	771	927	1054	1223	1504	2247	2559	3045	3198
KBH 560 P	560	54.6	68.9	109	179	260	340	487	800	962	1093	1268	1560	2330	2654	3157	3316
KBH 575 P	575	56.0	70.7	112	184	267	349	500	821	987	1122	1302	1601	2392	2725	3242	3405
KBH 590 P	590	57.5	72.6	115	189	274	358	513	843	1013	1151	1336	1643	2455	2796	3327	3494
KBH 600 P	600	58.5	73.8	117	192	278	364	522	857	1030	1171	1359	1671	2496	2844	3383	3553
KBH 615 P	615	59.9	75.7	120	197	285	373	535	879	1056	1200	1393	1713	2559	2915	3468	3642
KBH 630 P	630	61.4	77.5	123	202	292	382	548	900	1082	1230	1427	1755	2621	2986	3552	3731
KBH 640 P	640	62.4	78.7	125	205	297	388	557	914	1099	1249	1449	1782	2663	3033	3609	3790
KBH 655 P	655	63.8	80.6	128	210	304	397	570	936	1125	1278	1483	1824	2725	3104	3693	3879
KBH 670 P	670	65.3	82.4	131	214	311	407	583	957	1151	1308	1517	1866	2787	3175	3778	3968
KBH 680 P	680	66.3	83.7	133	218	316	413	592	971	1168	1327	1540	1894	2829	3223	3834	4027
KBH 690 P	690	67.3	84.9	135	221	320	419	600	986	1185	1347	1563	1922	2871	3270	3890	4086
KBH 705 P	705	68.7	86.7	138	226	327	428	613	1007	1211	1376	1597	1963	2933	3341	3975	4175
KBH 725 P	725	70.7	89.2	141	232	336	440	631	1036	1245	1415	1642	2019	3016	3436	4088	4294
KBH 755 P	755	73.6	92.9	147	242	350	458	657	1079	1297	1474	1710	2103	3141	3578	4257	4471
KBH 765 P	765	74.6	94.1	149	245	355	464	666	1093	1314	1493	1732	2130	3183	3626	4313	4530
KBH 785 P	785	76.5	96.6	153	251	364	476	683	1121	1348	1532	1778	2186	3266	3720	4426	4649
KBH 800 P	800	78.0	98.4	156	256	371	485	696	1143	1374	1561	1812	2228	3328	3791	4511	4738
KBH 825 P	825	80.4	101	161	264	383	501	718	1179	1417	1610	1868	2298	3432	3910	4652	4886
KBH 840 P	840	81.9	103	164	269	390	510	731	1200	1443	1639	1902	2339	3495	3981	4736	4975
KBH 865 P	865	84.3	106	169	277	401	525	753	1236	1485	1688	1959	2409	3599	4100	4877	5123
KBH 890 P	890	86.7	109	174	285	413	540	774	1271	1528	1737	2016	2479	3703	4218	5018	5271
KBH 910 P	910	88.7	112	178	291	422	552	792	1300	1563	1776	2061	2534	3786	4313	5131	5389
KBH 920 P	920	89.7	113	180	294	427	558	800	1314	1580	1796	2084	2562	3827	4360	5187	5448
KBH 930 P	930	90.6	114	181	298	432	564	809	1329	1597	1815	2106	2590	3869	4408	5244	5508
KBH 950 P	950	92.6	117	185	304	441	576	827	1357	1631	1854	2151	2646	3952	4502	5356	5626
KBH 990 P	990	96.5	122	193	317	459	601	861	1414	1700	1932	2242	2757	4119	4692	5582	5863

Performance data of KBH range in Amperes

After fully charged with constant current charging at +20°C ±5°C (+68°F ± 9°F)

Final Cell Voltage: 1.05 V

Cell Type	C ₅ Ah	Hours							Minutes					Seconds			
		10	8	5	3	2	1.5	1	30	20	15	10	5	60	30	5	1
KBH 9 P	9	0.90	1.12	1.77	2.92	4.32	5.68	8.21	14.6	19.1	21.5	25.4	32.0	48.8	55.4	68.5	73.8
KBH 13 P	13	1.30	1.62	2.56	4.22	6.24	8.20	11.9	21.1	27.5	31.1	36.7	46.2	70.5	80.1	98.9	107
KBH 17 P	17	1.70	2.12	3.35	5.52	8.16	10.7	15.5	27.6	36.0	40.7	48.0	60.4	92.1	105	129	139
KBH 21 P	21	2.10	2.62	4.14	6.82	10.1	13.3	19.2	34.1	44.5	50.2	59.3	74.6	114	129	160	172
KBH 30 P	30	3.00	3.74	5.91	9.75	14.4	18.9	27.4	48.7	63.5	71.7	84.8	107	163	185	228	246
KBH 34 P	34	3.40	4.24	6.70	11.0	16.3	21.5	31.0	55.2	72.0	81.3	96.1	121	184	209	259	279
KBH 40 P	40	4.00	4.98	7.89	13.0	19.2	25.2	36.5	64.9	82.8	93.0	109	135	196	221	267	278
KBH 50 P	50	5.00	6.23	9.86	16.2	24.0	31.5	45.6	81.2	104	116	136	168	245	276	333	348
KBH 54 P	54	5.39	6.72	10.6	17.5	25.9	34.0	49.1	88.3	114	129	153	192	293	333	411	442
KBH 59 P	59	5.89	7.35	11.6	19.2	28.3	37.1	53.7	96.5	125	141	167	210	321	363	449	483
KBH 64 P	64	6.39	7.97	12.6	20.8	30.7	40.3	58.2	105	135	153	181	227	348	394	487	524
KBH 69 P	69	6.89	8.59	13.6	22.4	33.1	43.4	62.8	113	146	165	195	245	375	425	525	565
KBH 79 P	79	7.89	9.84	15.6	25.7	37.9	49.7	71.9	129	167	189	223	281	429	487	601	647
KBH 88 P	88	8.79	11.0	17.3	28.6	42.2	55.4	80.1	144	186	211	249	313	478	542	669	720
KBH 98 P	98	9.79	12.2	19.3	31.8	47.0	61.7	89.2	160	207	234	277	348	533	604	746	802
KBH 103 P	103	10.3	12.8	20.3	33.4	49.4	64.8	93.7	168	218	246	291	366	560	634	784	843
KBH 110 P	110	11.0	13.7	21.7	35.7	52.8	69.2	100	180	233	263	311	391	598	678	837	901
KBH 118 P	118	11.8	14.7	23.3	38.3	56.6	74.2	107	193	250	282	333	419	641	727	898	966
KBH 127 P	127	12.7	15.8	25.0	41.2	61.0	79.9	116	208	269	304	359	451	690	782	966	1040
KBH 137 P	137	13.7	17.1	27.0	44.5	65.8	86.2	125	224	290	328	387	487	745	844	1042	1122
KBH 147 P	147	14.7	18.3	29.0	47.7	70.6	92.5	134	240	311	352	415	522	799	905	1118	1203
KBH 157 P	157	15.7	19.5	30.9	51.0	75.4	98.8	143	257	332	376	444	558	853	967	1194	1285
KBH 170 P	170	17.0	21.2	33.5	55.2	81.6	107	155	278	360	407	480	604	924	1047	1293	1392
KBH 177 P	177	17.7	22.0	34.9	57.5	85.0	111	161	289	375	423	500	629	962	1090	1347	1449
KBH 185 P	185	18.5	23.0	36.5	60.1	88.8	116	168	302	392	443	523	657	1005	1139	1407	1515
KBH 196 P	196	19.6	24.4	38.6	63.6	94.1	123	178	320	415	469	554	696	1065	1207	1491	1605
KBH 206 P	206	20.6	25.6	40.6	66.9	98.9	130	187	337	436	493	582	732	1120	1269	1567	1686
KBH 218 P	218	21.8	27.1	43.0	70.8	105	137	198	356	462	522	616	775	1185	1343	1658	1785
KBH 236 P	236	23.6	29.4	46.5	76.6	113	148	215	386	500	565	667	838	1283	1454	1795	1932
KBH 245 P	245	24.5	30.5	48.3	79.6	118	154	223	401	519	586	692	870	1332	1509	1864	2006
KBH 255 P	255	25.5	31.8	50.3	82.8	122	161	233	414	528	593	693	858	1250	1410	1700	1775
KBH 265 P	265	26.5	33.0	52.2	86.0	127	167	242	430	549	616	720	891	1299	1465	1767	1845
KBH 275 P	275	27.5	34.3	54.2	89.3	132	173	251	446	569	639	747	925	1348	1521	1833	1914
KBH 290 P	290	29.0	36.1	57.2	94.2	139	183	264	471	600	674	788	975	1421	1604	1933	2019
KBH 300 P	300	30.0	37.4	59.1	97.4	144	189	274	487	621	697	815	1009	1470	1659	2000	2088
KBH 315 P	315	31.5	39.2	62.1	102	151	198	287	511	652	732	856	1059	1544	1742	2100	2193
KBH 330 P	330	33.0	41.1	65.1	107	159	208	301	536	683	767	896	1110	1617	1825	2200	2297
KBH 353 P	353	35.3	43.9	69.6	115	169	222	321	577	747	845	997	1254	1918	2174	2685	2890
KBH 362 P	362	36.2	45.1	71.4	118	174	228	329	592	766	866	1023	1286	1967	2230	2754	2964

Performance data of KBH range in Amperes

After fully charged with constant current charging at +20°C ±5°C (+68°F ± 9°F)

Final Cell Voltage: 1.05 V

Cell Type	C ₅ Ah	Hours							Minutes					Seconds			
		10	8	5	3	2	1.5	1	30	20	15	10	5	60	30	5	1
KBH 375 P	375	37.5	46.7	73.9	122	180	236	342	609	776	872	1019	1261	1838	2074	2500	2610
KBH 393 P	393	39.3	49.0	77.5	128	189	247	358	638	814	913	1068	1322	1926	2173	2620	2736
KBH 410 P	410	41.0	51.1	80.8	133	197	258	374	665	849	953	1114	1379	2010	2267	2733	2854
KBH 420 P	420	42.0	52.3	82.8	136	202	264	383	682	870	976	1141	1412	2059	2322	2800	2924
KBH 430 P	430	43.0	53.6	84.8	140	207	271	392	698	890	999	1168	1446	2108	2378	2867	2993
KBH 450 P	450	45.0	56.1	88.7	146	216	283	410	730	932	1046	1222	1513	2206	2488	3000	3132
KBH 471 P	471	47.1	58.7	92.9	153	226	297	429	764	975	1095	1279	1584	2309	2604	3140	3279
KBH 481 P	481	48.1	59.9	94.8	156	231	303	439	781	996	1118	1307	1617	2358	2660	3207	3348
KBH 491 P	491	49.1	61.2	96.8	159	236	309	448	797	1017	1141	1334	1651	2407	2715	3273	3418
KBH 510 P	510	50.9	63.5	101	166	245	321	465	828	1056	1185	1385	1715	2500	2820	3400	3550
KBH 530 P	530	52.9	66.0	104	172	255	334	483	860	1097	1232	1440	1782	2598	2931	3533	3689
KBH 540 P	540	53.9	67.3	106	175	259	340	492	876	1118	1255	1467	1816	2647	2986	3600	3759
KBH 560 P	560	55.9	69.8	110	182	269	353	511	909	1159	1302	1521	1883	2745	3097	3733	3898
KBH 575 P	575	57.4	71.6	113	187	276	362	524	933	1190	1336	1562	1934	2818	3180	3833	4003
KBH 590 P	590	58.9	73.5	116	192	283	371	538	958	1222	1371	1603	1984	2892	3262	3933	4107
KBH 600 P	600	59.9	74.7	118	195	288	378	547	974	1242	1395	1630	2018	2941	3318	4000	4177
KBH 615 P	615	61.4	76.6	121	200	295	387	561	998	1273	1429	1671	2068	3014	3401	4100	4281
KBH 630 P	630	62.9	78.5	124	205	303	397	574	1022	1304	1464	1711	2119	3088	3484	4200	4385
KBH 640 P	640	63.9	79.7	126	208	307	403	584	1039	1325	1488	1738	2152	3137	3539	4267	4455
KBH 655 P	655	65.4	81.6	129	213	315	412	597	1063	1356	1522	1779	2203	3210	3622	4367	4560
KBH 670 P	670	66.9	83.5	132	218	322	422	611	1087	1387	1557	1820	2253	3284	3705	4467	4664
KBH 680 P	680	67.9	84.7	134	221	327	428	620	1104	1408	1580	1847	2287	3333	3760	4533	4734
KBH 690 P	690	68.9	86.0	136	224	331	434	629	1120	1429	1604	1874	2320	3382	3815	4600	4803
KBH 705 P	705	70.4	87.8	139	229	339	444	643	1144	1460	1639	1915	2371	3455	3898	4700	4908
KBH 725 P	725	72.4	90.3	143	235	348	456	661	1177	1501	1685	1969	2438	3553	4009	4833	5047
KBH 755 P	755	75.4	94.1	149	245	363	475	688	1225	1563	1755	2051	2539	3700	4175	5033	5256
KBH 765 P	765	76.4	95.3	151	248	367	482	698	1242	1584	1778	2078	2573	3750	4230	5100	5325
KBH 785 P	785	78.4	97.8	155	255	377	494	716	1274	1625	1825	2132	2640	3848	4341	5233	5464
KBH 800 P	800	79.9	99.7	158	260	384	504	729	1298	1656	1859	2173	2690	3921	4424	5333	5569
KBH 825 P	825	82.4	103	163	268	396	519	752	1339	1708	1918	2241	2774	4044	4562	5500	5743
KBH 840 P	840	83.9	105	166	273	403	529	766	1363	1739	1952	2282	2825	4117	4645	5600	5847
KBH 865 P	865	86.4	108	171	281	415	545	789	1404	1791	2010	2350	2909	4240	4783	5767	6021
KBH 890 P	890	88.9	111	175	289	427	560	812	1444	1843	2069	2417	2993	4362	4921	5933	6195
KBH 910 P	910	90.9	113	179	295	437	573	830	1477	1884	2115	2472	3060	4460	5032	6067	6335
KBH 920 P	920	91.9	115	181	299	442	579	839	1493	1905	2138	2499	3094	4509	5087	6133	6404
KBH 930 P	930	92.9	116	183	302	447	585	848	1509	1925	2162	2526	3127	4558	5143	6200	6474
KBH 950 P	950	94.9	118	187	308	456	598	866	1542	1967	2208	2580	3195	4656	5253	6333	6613
KBH 990 P	990	98.9	123	195	321	476	623	903	1607	2050	2301	2689	3329	4852	5474	6600	6891

Performance data of KBH range in Amperes

After fully charged with constant current charging at +20°C ±5°C (+68°F ± 9°F)

Final Cell Voltage: 1.00 V

Cell Type	C ₅ Ah	Hours							Minutes					Seconds			
		10	8	5	3	2	1.5	1	30	20	15	10	5	60	30	5	1
KBH 9 P	9	0.91	1.14	1.80	2.96	4.40	5.79	8.46	15.5	20.9	24.5	29.1	37.0	55.3	63.1	79.5	87.1
KBH 13 P	13	1.31	1.64	2.60	4.28	6.35	8.37	12.2	22.4	30.2	35.4	42.1	53.5	79.8	91.1	115	126
KBH 17 P	17	1.71	2.15	3.40	5.59	8.30	10.9	16.0	29.3	39.4	46.3	55.0	70.0	104	119	150	165
KBH 21 P	21	2.11	2.65	4.20	6.91	10.3	13.5	19.7	36.2	48.7	57.2	68.0	86.4	129	147	185	203
KBH 30 P	30	3.02	3.79	6.00	9.87	14.7	19.3	28.2	51.7	69.6	81.7	97.1	123	184	210	265	290
KBH 34 P	34	3.42	4.29	6.80	11.2	16.6	21.9	32.0	58.6	78.9	92.6	110	140	209	238	300	329
KBH 40 P	40	4.03	5.05	8.00	13.2	19.6	25.8	37.7	68.4	91.9	106	125	156	225	254	309	329
KBH 50 P	50	5.04	6.31	10.0	16.5	24.4	32.2	47.1	85.5	115	133	156	195	281	318	386	411
KBH 54 P	54	5.44	6.82	10.8	17.8	26.4	34.8	50.8	93.2	125	147	175	222	332	379	477	523
KBH 59 P	59	5.94	7.45	11.8	19.5	28.8	38.0	55.5	102	137	161	191	243	363	414	521	571
KBH 64 P	64	6.45	8.08	12.8	21.1	31.3	41.2	60.2	110	148	174	207	263	393	449	565	620
KBH 69 P	69	6.95	8.71	13.8	22.8	33.7	44.4	64.9	119	160	188	223	284	424	484	609	668
KBH 79 P	79	7.96	9.98	15.8	26.1	38.6	50.8	74.3	136	183	215	255	325	485	554	697	765
KBH 88 P	88	8.86	11.1	17.6	29.1	43.0	56.6	82.8	152	204	240	285	362	541	617	777	852
KBH 98 P	98	9.87	12.4	19.6	32.4	47.9	63.1	92.2	169	227	267	317	403	602	688	865	949
KBH 103 P	103	10.4	13.0	20.6	34.0	50.3	66.3	96.9	178	239	281	333	424	633	723	909	997
KBH 110 P	110	11.1	13.9	22.0	36.3	53.7	70.8	103	190	255	300	356	453	676	772	971	1065
KBH 118 P	118	11.9	14.9	23.6	39.0	57.6	75.9	111	204	274	322	382	486	725	828	1041	1143
KBH 127 P	127	12.8	16.0	25.4	41.9	62.0	81.7	119	219	295	346	411	523	780	891	1121	1230
KBH 137 P	137	13.8	17.3	27.4	45.2	66.9	88.2	129	236	318	373	443	564	842	961	1209	1326
KBH 147 P	147	14.8	18.6	29.4	48.5	71.8	94.6	138	254	341	401	475	605	903	1031	1297	1423
KBH 157 P	157	15.8	19.8	31.4	51.8	76.7	101	148	271	364	428	508	646	965	1101	1386	1520
KBH 170 P	170	17.1	21.5	34.0	56.1	83.0	109	160	293	394	463	550	700	1045	1193	1500	1646
KBH 177 P	177	17.8	22.4	35.4	58.4	86.4	114	167	305	410	482	572	729	1088	1242	1562	1714
KBH 185 P	185	18.6	23.4	37.0	61.1	90.3	119	174	319	429	504	598	762	1137	1298	1633	1791
KBH 196 P	196	19.7	24.8	39.2	64.7	95.7	126	184	338	455	534	634	807	1204	1375	1730	1898
KBH 206 P	206	20.7	26.0	41.2	68.0	101	133	194	356	478	562	666	848	1266	1445	1818	1995
KBH 218 P	218	22.0	27.5	43.6	72.0	106	140	205	376	506	594	705	897	1340	1529	1924	2111
KBH 236 P	236	23.8	29.8	47.2	77.9	115	152	222	407	547	643	763	972	1450	1656	2083	2285
KBH 245 P	245	24.7	30.9	49.0	80.9	120	158	230	423	568	668	792	1009	1505	1719	2162	2372
KBH 255 P	255	25.7	32.2	51.0	84.2	125	164	240	436	586	676	797	992	1435	1620	1970	2095
KBH 265 P	265	26.7	33.5	53.0	87.5	130	171	250	453	609	703	828	1031	1491	1684	2047	2177
KBH 275 P	275	27.7	34.7	55.0	90.8	134	177	259	470	632	729	859	1070	1548	1747	2124	2259
KBH 290 P	290	29.2	36.6	58.0	95.7	142	187	273	496	667	769	906	1129	1632	1842	2240	2382
KBH 300 P	300	30.2	37.9	60.0	99.0	147	193	283	513	690	796	938	1167	1688	1906	2317	2465
KBH 315 P	315	31.7	39.8	63.0	104	154	203	297	539	724	836	984	1226	1773	2001	2433	2588
KBH 330 P	330	33.2	41.7	66.0	109	161	213	311	564	758	875	1031	1284	1857	2097	2549	2711
KBH 353 P	353	35.5	44.6	70.6	117	172	227	332	609	819	962	1141	1453	2169	2476	3115	3418
KBH 362 P	362	36.5	45.7	72.4	120	177	233	341	625	840	987	1170	1490	2224	2540	3195	3505

Performance data of KBH range in Amperes

After fully charged with constant current charging at +20°C ±5°C (+68°F ± 9°F)

Final Cell Voltage: 1.00 V

Cell Type	C ₅ Ah	Hours							Minutes					Seconds			
		10	8	5	3	2	1.5	1	30	20	15	10	5	60	30	5	1
KBH 375 P	375	37.8	47.4	75.0	124	183	241	353	641	862	995	1172	1459	2110	2382	2897	3081
KBH 393 P	393	39.6	49.6	78.6	130	192	253	370	672	903	1042	1228	1529	2212	2497	3036	3229
KBH 410 P	410	41.3	51.8	82.0	135	200	264	386	701	942	1088	1281	1596	2307	2605	3167	3368
KBH 420 P	420	42.3	53.0	84.0	139	205	270	396	718	965	1114	1313	1634	2364	2668	3244	3451
KBH 430 P	430	43.3	54.3	86.0	142	210	277	405	735	988	1141	1344	1673	2420	2732	3321	3533
KBH 450 P	450	45.3	56.8	90.0	149	220	290	424	770	1034	1194	1406	1751	2533	2859	3476	3697
KBH 471 P	471	47.4	59.5	94.2	155	230	303	444	806	1083	1249	1472	1833	2651	2992	3638	3870
KBH 481 P	481	48.4	60.7	96.2	159	235	310	453	823	1106	1276	1503	1872	2707	3056	3715	3952
KBH 491 P	491	49.4	62.0	98.2	162	240	316	463	840	1128	1302	1534	1911	2763	3119	3793	4034
KBH 510 P	510	51.4	64.4	102	168	249	328	480	872	1172	1353	1594	1985	2870	3240	3939	4190
KBH 530 P	530	53.4	66.9	106	175	259	341	499	907	1218	1406	1656	2063	2983	3367	4094	4354
KBH 540 P	540	54.4	68.2	108	178	264	348	509	924	1241	1432	1688	2101	3039	3431	4171	4436
KBH 560 P	560	56.4	70.7	112	185	274	361	528	958	1287	1485	1750	2179	3152	3558	4326	4601
KBH 575 P	575	57.9	72.6	115	190	281	370	542	983	1322	1525	1797	2238	3236	3653	4441	4724
KBH 590 P	590	59.4	74.5	118	195	289	380	556	1009	1356	1565	1844	2296	3320	3748	4557	4847
KBH 600 P	600	60.4	75.8	120	198	293	386	565	1026	1379	1592	1875	2335	3377	3812	4635	4929
KBH 615 P	615	61.9	77.7	123	203	301	396	579	1052	1413	1631	1922	2393	3461	3907	4750	5053
KBH 630 P	630	63.4	79.6	126	208	308	406	594	1078	1448	1671	1969	2452	3546	4002	4866	5176
KBH 640 P	640	64.5	80.8	128	211	313	412	603	1095	1471	1698	2000	2491	3602	4066	4944	5258
KBH 655 P	655	66.0	82.7	131	216	320	422	617	1120	1505	1737	2047	2549	3686	4161	5059	5381
KBH 670 P	670	67.5	84.6	134	221	328	431	631	1146	1540	1777	2094	2607	3771	4257	5175	5504
KBH 680 P	680	68.5	85.9	136	224	333	438	641	1163	1563	1804	2125	2646	3827	4320	5252	5587
KBH 690 P	690	69.5	87.1	138	228	337	444	650	1180	1586	1830	2156	2685	3883	4384	5330	5669
KBH 705 P	705	71.0	89.0	141	233	345	454	664	1206	1620	1870	2203	2744	3968	4479	5446	5792
KBH 725 P	725	73.0	91.6	145	239	355	467	683	1240	1666	1923	2266	2821	4080	4606	5600	5956
KBH 755 P	755	76.0	95.4	151	249	369	486	711	1291	1735	2003	2359	2938	4249	4797	5832	6203
KBH 765 P	765	77.0	96.6	153	253	374	493	721	1308	1758	2029	2391	2977	4305	4860	5909	6285
KBH 785 P	785	79.1	99.1	157	259	384	506	740	1343	1804	2082	2453	3055	4418	4987	6064	6449
KBH 800 P	800	80.6	101	160	264	391	515	754	1368	1839	2122	2500	3113	4502	5082	6179	6572
KBH 825 P	825	83.1	104	165	272	403	531	777	1411	1896	2188	2578	3211	4643	5241	6373	6778
KBH 840 P	840	84.6	106	168	277	411	541	791	1437	1931	2228	2625	3269	4727	5337	6488	6901
KBH 865 P	865	87.1	109	173	286	423	557	815	1480	1988	2294	2703	3366	4868	5495	6681	7106
KBH 890 P	890	89.6	112	178	294	435	573	838	1522	2046	2361	2781	3464	5009	5654	6875	7312
KBH 910 P	910	91.6	115	182	300	445	586	857	1556	2092	2414	2844	3541	5121	5781	7029	7476
KBH 920 P	920	92.6	116	184	304	450	592	867	1574	2114	2440	2875	3580	5178	5845	7106	7558
KBH 930 P	930	93.7	117	186	307	455	599	876	1591	2137	2467	2906	3619	5234	5908	7184	7640
KBH 950 P	950	95.7	120	190	314	465	612	895	1625	2183	2520	2969	3697	5346	6035	7338	7805
KBH 990 P	990	99.7	125	198	327	484	638	933	1693	2275	2626	3094	3853	5572	6290	7647	8133

Performance data of KBH range in Amperes

After fully charged with constant current charging at +20°C ±5°C (+68°F ± 9°F)

Final Cell Voltage: 0.85 V

Cell Type	C ₅ Ah	Seconds				
		90	60	30	5	1
KBH 9 P	9	68.2	75.6	85.7	111	120
KBH 13 P	13	98.5	109	124	160	173
KBH 17 P	17	129	143	162	210	227
KBH 21 P	21	159	176	200	259	280
KBH 30 P	30	227	252	286	370	400
KBH 34 P	34	258	286	324	420	453
KBH 40 P	40	284	310	348	426	465
KBH 50 P	50	355	388	435	532	581
KBH 54 P	54	409	454	514	667	720
KBH 59 P	59	447	496	562	728	787
KBH 64 P	64	485	538	610	790	853
KBH 69 P	69	523	580	657	852	920
KBH 79 P	79	598	664	752	975	1053
KBH 88 P	88	667	739	838	1086	1173
KBH 98 P	98	742	824	933	1210	1307
KBH 103 P	103	780	866	981	1272	1373
KBH 110 P	110	833	924	1048	1358	1467
KBH 118 P	118	894	992	1124	1457	1573
KBH 127 P	127	962	1067	1210	1568	1693
KBH 137 P	137	1038	1151	1305	1691	1827
KBH 147 P	147	1114	1235	1400	1815	1960
KBH 157 P	157	1189	1319	1495	1938	2093
KBH 170 P	170	1288	1429	1619	2099	2267
KBH 177 P	177	1341	1487	1686	2185	2360
KBH 185 P	185	1402	1555	1762	2284	2467
KBH 196 P	196	1485	1647	1867	2420	2613
KBH 206 P	206	1561	1731	1962	2543	2747
KBH 218 P	218	1652	1832	2076	2691	2907
KBH 236 P	236	1788	1983	2248	2914	3147
KBH 245 P	245	1856	2059	2333	3025	3267
KBH 255 P	255	1809	1977	2217	2713	2965
KBH 265 P	265	1879	2054	2304	2819	3081
KBH 275 P	275	1950	2132	2391	2926	3198
KBH 290 P	290	2057	2248	2522	3085	3372
KBH 300 P	300	2128	2326	2609	3191	3488
KBH 315 P	315	2234	2442	2739	3351	3663
KBH 330 P	330	2340	2558	2870	3511	3837
KBH 353 P	353	2674	2966	3362	4358	4707
KBH 362 P	362	2742	3042	3448	4469	4827

Final Cell Voltage: 0.65 V

Cell type	C ₅ Ah	Seconds				
		90	60	30	5	1
KBH 9 P	9	88.2	98.9	113	145	161
KBH 13 P	13	127	143	163	210	232
KBH 17 P	17	167	187	213	274	304
KBH 21 P	21	206	231	263	339	375
KBH 30 P	30	294	330	375	484	536
KBH 34 P	34	333	374	425	548	607
KBH 40 P	40	374	412	465	580	625
KBH 50 P	50	467	515	581	725	781
KBH 54 P	54	529	593	675	871	964
KBH 59 P	59	578	648	738	952	1054
KBH 64 P	64	627	703	800	1032	1143
KBH 69 P	69	676	758	863	1113	1232
KBH 79 P	79	775	868	988	1274	1411
KBH 88 P	88	863	967	1100	1419	1571
KBH 98 P	98	961	1077	1225	1581	1750
KBH 103 P	103	1010	1132	1288	1661	1839
KBH 110 P	110	1078	1209	1375	1774	1964
KBH 118 P	118	1157	1297	1475	1903	2107
KBH 127 P	127	1245	1396	1588	2048	2268
KBH 137 P	137	1343	1505	1713	2210	2446
KBH 147 P	147	1441	1615	1838	2371	2625
KBH 157 P	157	1539	1725	1963	2532	2804
KBH 170 P	170	1667	1868	2125	2742	3036
KBH 177 P	177	1735	1945	2213	2855	3161
KBH 185 P	185	1814	2033	2313	2984	3304
KBH 196 P	196	1922	2154	2450	3161	3500
KBH 206 P	206	2020	2264	2575	3323	3679
KBH 218 P	218	2137	2396	2725	3516	3893
KBH 236 P	236	2314	2593	2950	3806	4214
KBH 245 P	245	2402	2692	3063	3952	4375
KBH 255 P	255	2383	2629	2965	3696	3984
KBH 265 P	265	2477	2732	3081	3841	4141
KBH 275 P	275	2570	2835	3198	3986	4297
KBH 290 P	290	2710	2990	3372	4203	4531
KBH 300 P	300	2804	3093	3488	4348	4688
KBH 315 P	315	2944	3247	3663	4565	4922
KBH 330 P	330	3084	3402	3837	4783	5156
KBH 353 P	353	3461	3879	4413	5694	6304
KBH 362 P	362	3549	3978	4525	5839	6464

Performance data of KBH range in Amperes

After fully charged with constant current charging at +20°C ±5°C (+68°F ± 9°F)

Final Cell Voltage: 0.85 V

Cell Type	C ₅ Ah	Seconds				
		90	60	30	5	1
KBH 375 P	375	2660	2907	3261	3989	4360
KBH 393 P	393	2787	3047	3417	4181	4570
KBH 410 P	410	2908	3178	3565	4362	4767
KBH 420 P	420	2979	3256	3652	4468	4884
KBH 430 P	430	3050	3333	3739	4574	5000
KBH 450 P	450	3191	3488	3913	4787	5233
KBH 471 P	471	3340	3651	4096	5011	5477
KBH 481 P	481	3411	3729	4183	5117	5593
KBH 491 P	491	3482	3806	4270	5223	5709
KBH 510 P	510	3617	3953	4435	5426	5930
KBH 530 P	530	3759	4109	4609	5638	6163
KBH 540 P	540	3830	4186	4696	5745	6279
KBH 560 P	560	3972	4341	4870	5957	6512
KBH 575 P	575	4078	4457	5000	6117	6686
KBH 590 P	590	4184	4574	5130	6277	6860
KBH 600 P	600	4255	4651	5217	6383	6977
KBH 615 P	615	4362	4767	5348	6543	7151
KBH 630 P	630	4468	4884	5478	6702	7326
KBH 640 P	640	4539	4961	5565	6809	7442
KBH 655 P	655	4645	5078	5696	6968	7616
KBH 670 P	670	4752	5194	5826	7128	7791
KBH 680 P	680	4823	5271	5913	7234	7907
KBH 690 P	690	4894	5349	6000	7340	8023
KBH 705 P	705	5000	5465	6130	7500	8198
KBH 725 P	725	5142	5620	6304	7713	8430
KBH 755 P	755	5355	5853	6565	8032	8779
KBH 765 P	765	5426	5930	6652	8138	8895
KBH 785 P	785	5567	6085	6826	8351	9128
KBH 800 P	800	5674	6202	6957	8511	9302
KBH 825 P	825	5851	6395	7174	8777	9593
KBH 840 P	840	5957	6512	7304	8936	9767
KBH 865 P	865	6135	6705	7522	9202	10058
KBH 890 P	890	6312	6899	7739	9468	10349
KBH 910 P	910	6454	7054	7913	9681	10581
KBH 920 P	920	6525	7132	8000	9787	10698
KBH 930 P	930	6596	7209	8087	9894	10814
KBH 950 P	950	6738	7364	8261	10106	11047
KBH 990 P	990	7021	7674	8609	10532	11512

Final Cell Voltage: 0.65 V

Cell Type	C ₅ Ah	Seconds				
		90	60	30	5	1
KBH 375 P	375	3505	3866	4360	5435	5859
KBH 393 P	393	3673	4052	4570	5696	6141
KBH 410 P	410	3832	4227	4767	5942	6406
KBH 420 P	420	3925	4330	4884	6087	6563
KBH 430 P	430	4019	4433	5000	6232	6719
KBH 450 P	450	4206	4639	5233	6522	7031
KBH 471 P	471	4402	4856	5477	6826	7359
KBH 481 P	481	4495	4959	5593	6971	7516
KBH 491 P	491	4589	5062	5709	7116	7672
KBH 510 P	510	4766	5258	5930	7391	7969
KBH 530 P	530	4953	5464	6163	7681	8281
KBH 540 P	540	5047	5567	6279	7826	8438
KBH 560 P	560	5234	5773	6512	8116	8750
KBH 575 P	575	5374	5928	6686	8333	8984
KBH 590 P	590	5514	6082	6860	8551	9219
KBH 600 P	600	5607	6186	6977	8696	9375
KBH 615 P	615	5748	6340	7151	8913	9609
KBH 630 P	630	5888	6495	7326	9130	9844
KBH 640 P	640	5981	6598	7442	9275	10000
KBH 655 P	655	6121	6753	7616	9493	10234
KBH 670 P	670	6262	6907	7791	9710	10469
KBH 680 P	680	6355	7010	7907	9855	10625
KBH 690 P	690	6449	7113	8023	10000	10781
KBH 705 P	705	6589	7268	8198	10217	11016
KBH 725 P	725	6776	7474	8430	10507	11328
KBH 755 P	755	7056	7784	8779	10942	11797
KBH 765 P	765	7150	7887	8895	11087	11953
KBH 785 P	785	7336	8093	9128	11377	12266
KBH 800 P	800	7477	8247	9302	11594	12500
KBH 825 P	825	7710	8505	9593	11957	12891
KBH 840 P	840	7850	8660	9767	12174	13125
KBH 865 P	865	8084	8918	10058	12536	13516
KBH 890 P	890	8318	9175	10349	12899	13906
KBH 910 P	910	8505	9381	10581	13188	14219
KBH 920 P	920	8598	9485	10698	13333	14375
KBH 930 P	930	8692	9588	10814	13478	14531
KBH 950 P	950	8879	9794	11047	13768	14844
KBH 990 P	990	9252	10206	11512	14348	15469

Performance data of KBH range in Amperes

After long term float charge of fully charged cells at +20°C ±5°C (+68°F ± 9°F)

Final Cell Voltage: 1.14 V

Cell Type	C ₅ Ah	Hours							Minutes					Seconds			
		10	8	5	3	2	1.5	1	30	20	15	10	5	60	30	5	1
KBH 9 P	9	0.85	1.07	1.67	2.72	3.99	5.16	6.98	9.7	11.2	12.7	14.6	18.0	24.8	28.8	35.9	41.9
KBH 13 P	13	1.23	1.55	2.41	3.93	5.76	7.45	10.1	14.0	16.1	18.3	21.1	25.9	35.8	41.6	51.9	60.5
KBH 17 P	17	1.60	2.02	3.15	5.14	7.53	9.74	13.2	18.3	21.1	23.9	27.5	33.9	46.9	54.4	67.9	79.1
KBH 21 P	21	1.98	2.50	3.89	6.35	9.31	12.0	16.3	22.6	26.1	29.6	34.0	41.9	57.9	67.2	83.8	97.7
KBH 30 P	30	2.83	3.57	5.56	9.07	13.3	17.2	23.3	32.2	37.2	42.2	48.6	59.9	82.7	96.0	120	140
KBH 34 P	34	3.20	4.05	6.31	10.3	15.1	19.5	26.4	36.5	42.2	47.9	55.1	67.8	93.7	109	136	158
KBH 40 P	40	3.77	4.76	7.56	12.2	17.7	22.9	30.6	41.9	49.6	55.6	63.0	77.1	101	116	136	141
KBH 50 P	50	4.71	5.95	9.45	15.2	22.1	28.6	38.2	52.4	62.0	69.5	78.7	96.3	126	145	170	176
KBH 54 P	54	5.09	6.43	10.2	16.5	24.0	31.0	41.8	58.0	67.1	75.1	85.1	104	149	173	216	227
KBH 59 P	59	5.56	7.02	11.2	18.0	26.2	33.8	45.6	63.3	73.3	82.0	92.9	114	163	189	236	248
KBH 64 P	64	6.03	7.62	12.1	19.5	28.4	36.7	49.5	68.7	79.5	89.0	101	123	177	205	256	269
KBH 69 P	69	6.50	8.21	13.0	21.0	30.6	39.6	53.4	74.1	85.7	95.9	109	133	191	221	276	290
KBH 79 P	79	7.45	9.40	14.9	24.1	35.0	45.3	61.1	84.8	98.2	110	124	152	218	253	316	332
KBH 88 P	88	8.29	10.5	16.6	26.8	39.0	50.5	68.1	94.5	109	122	139	170	243	282	352	370
KBH 98 P	98	9.24	11.7	18.5	29.9	43.5	56.2	75.8	105	122	136	154	189	271	314	392	412
KBH 103 P	103	9.71	12.3	19.5	31.4	45.7	59.1	79.7	111	128	143	162	198	285	330	412	433
KBH 110 P	110	10.4	13.1	20.8	33.6	48.8	63.1	85.1	118	137	153	173	212	304	352	440	462
KBH 118 P	118	11.1	14.0	22.3	36.0	52.3	67.7	91.3	127	147	164	186	227	326	378	472	496
KBH 127 P	127	12.0	15.1	24.0	38.7	56.3	72.8	98	136	158	177	200	245	351	407	508	534
KBH 137 P	137	12.9	16.3	25.9	41.8	60.8	78.5	106	147	170	191	216	264	379	439	548	576
KBH 147 P	147	13.9	17.5	27.8	44.8	65.2	84.3	114	158	183	204	232	283	406	471	588	618
KBH 157 P	157	14.8	18.7	29.7	47.9	69.6	90.0	121	169	195	218	247	303	434	503	628	660
KBH 170 P	170	16.0	20.2	32.1	51.9	75.4	97.5	132	182	211	236	268	328	470	545	680	715
KBH 177 P	177	16.7	21.1	33.5	54.0	78.5	101	137	190	220	246	279	341	489	567	708	744
KBH 185 P	185	17.4	22.0	35.0	56.4	82.1	106	143	199	230	257	291	356	512	593	740	778
KBH 196 P	196	18.5	23.3	37.0	59.8	86.9	112	152	210	244	273	309	378	542	628	784	824
KBH 206 P	206	19.4	24.5	38.9	62.8	91.4	118	159	221	256	286	324	397	570	660	824	866
KBH 218 P	218	20.5	25.9	41.2	66.5	96.7	125	169	234	271	303	343	420	603	698	872	916
KBH 236 P	236	22.2	28.1	44.6	72.0	105	135	183	253	293	328	372	455	653	756	944	992
KBH 245 P	245	23.1	29.2	46.3	74.7	109	140	190	263	304	341	386	472	677	785	980	1030
KBH 255 P	255	24.0	30.3	48.2	77.8	113	146	195	267	316	355	402	491	644	739	869	900
KBH 265 P	265	25.0	31.5	50.1	80.8	117	152	203	278	328	369	417	510	670	768	904	935
KBH 275 P	275	25.9	32.7	52.0	83.8	122	157	210	288	341	382	433	530	695	797	938	971
KBH 290 P	290	27.3	34.5	54.8	88.4	128	166	222	304	359	403	457	559	733	840	989	1024
KBH 300 P	300	28.3	35.7	56.7	91.5	133	172	229	315	372	417	472	578	758	869	1023	1059
KBH 315 P	315	29.7	37.5	59.5	96.0	139	180	241	330	390	438	496	607	796	913	1074	1112
KBH 330 P	330	31.1	39.3	62.4	101	146	189	252	346	409	459	520	636	834	956	1125	1165
KBH 353 P	353	33.3	42.0	66.7	108	157	202	273	379	439	491	556	680	976	1131	1412	1484
KBH 362 P	362	34.1	43.1	68.4	110	161	208	280	389	450	503	570	698	1001	1160	1448	1522

Performance data of KBH range in Amperes

After long term float charge of fully charged cells at +20°C ±5°C (+68°F ± 9°F)

Final Cell Voltage: 1.14 V

Cell Type	C ₅ Ah	Hours							Minutes					Seconds			
		10	8	5	3	2	1.5	1	30	20	15	10	5	60	30	5	1
KBH 375 P	375	35.3	44.6	70.9	114	166	215	287	393	465	522	590	722	948	1087	1279	1324
KBH 393 P	393	37.0	46.8	74.3	120	174	225	300	412	487	547	619	757	993	1139	1340	1387
KBH 410 P	410	38.6	48.8	77.5	125	181	235	313	430	508	570	646	790	1036	1188	1398	1447
KBH 420 P	420	39.6	50.0	79.4	128	186	240	321	440	521	584	661	809	1061	1217	1432	1482
KBH 430 P	430	40.5	51.2	81.3	131	190	246	329	451	533	598	677	828	1087	1246	1466	1518
KBH 450 P	450	42.4	53.5	85.1	137	199	257	344	472	558	626	709	867	1137	1304	1534	1588
KBH 471 P	471	44.4	56.0	89.0	144	208	269	360	494	584	655	742	907	1190	1365	1606	1663
KBH 481 P	481	45.3	57.2	90.9	147	213	275	368	504	596	669	757	927	1216	1394	1640	1698
KBH 491 P	491	46.3	58.4	92.8	150	217	281	375	515	608	683	773	946	1241	1423	1674	1733
KBH 510 P	510	48.1	60.7	96.4	156	225	292	390	535	632	709	803	982	1289	1478	1739	1800
KBH 530 P	530	50.0	63.1	100	162	234	303	405	556	657	737	835	1021	1339	1536	1807	1871
KBH 540 P	540	50.9	64.2	102	165	239	309	413	566	669	751	850	1040	1365	1565	1841	1906
KBH 560 P	560	52.8	66.6	106	171	248	320	428	587	694	779	882	1079	1415	1623	1909	1977
KBH 575 P	575	54.2	68.4	109	175	254	329	439	603	713	800	905	1108	1453	1666	1961	2030
KBH 590 P	590	55.6	70.2	112	180	261	337	451	619	731	821	929	1137	1491	1710	2012	2083
KBH 600 P	600	56.6	71.4	113	183	265	343	458	629	744	834	945	1156	1516	1739	2046	2118
KBH 615 P	615	58.0	73.2	116	188	272	352	470	645	762	855	968	1185	1554	1782	2097	2171
KBH 630 P	630	59.4	75.0	119	192	278	360	481	661	781	876	992	1214	1592	1826	2148	2224
KBH 640 P	640	60.3	76.1	121	195	283	366	489	671	793	890	1008	1233	1617	1855	2182	2259
KBH 655 P	655	61.7	77.9	124	200	290	375	501	687	812	911	1031	1262	1655	1898	2233	2312
KBH 670 P	670	63.1	79.7	127	204	296	383	512	703	830	932	1055	1291	1693	1941	2284	2365
KBH 680 P	680	64.1	80.9	129	207	301	389	520	713	843	946	1071	1310	1718	1970	2319	2400
KBH 690 P	690	65.0	82.1	130	210	305	395	527	724	855	960	1086	1329	1744	1999	2353	2436
KBH 705 P	705	66.4	83.9	133	215	312	403	539	739	874	980	1110	1358	1782	2043	2404	2488
KBH 725 P	725	68.3	86.3	137	221	320	415	554	760	898	1008	1142	1397	1832	2101	2472	2559
KBH 755 P	755	71.2	89.8	143	230	334	432	577	792	936	1050	1189	1454	1908	2188	2574	2665
KBH 765 P	765	72.1	91.0	145	233	338	438	585	802	948	1064	1205	1474	1933	2217	2608	2700
KBH 785 P	785	74.0	93.4	148	239	347	449	600	823	973	1092	1236	1512	1984	2275	2677	2771
KBH 800 P	800	75.4	95.2	151	244	354	458	611	839	991	1113	1260	1541	2022	2318	2728	2824
KBH 825 P	825	77.8	98.2	156	252	365	472	630	865	1022	1147	1299	1589	2085	2391	2813	2912
KBH 840 P	840	79.2	100	159	256	371	480	642	881	1041	1168	1323	1618	2123	2434	2864	2965
KBH 865 P	865	81.5	103	164	264	382	495	661	907	1072	1203	1362	1666	2186	2507	2949	3053
KBH 890 P	890	83.9	106	168	271	393	509	680	933	1103	1238	1401	1714	2249	2579	3035	3141
KBH 910 P	910	85.8	108	172	277	402	521	695	954	1128	1266	1433	1753	2300	2637	3103	3212
KBH 920 P	920	86.7	109	174	281	407	526	703	965	1140	1279	1449	1772	2325	2666	3137	3247
KBH 930 P	930	87.7	111	176	284	411	532	711	975	1153	1293	1464	1792	2350	2695	3171	3283
KBH 950 P	950	89.5	113	180	290	420	543	726	996	1177	1321	1496	1830	2401	2753	3239	3353
KBH 990 P	990	93.3	118	187	302	438	566	757	1038	1227	1377	1559	1907	2502	2869	3376	3494

Performance data of KBH range in Amperes

After long term float charge of fully charged cells at +20°C ±5°C (+68°F ± 9°F)

Final Cell Voltage: 1.10 V

Cell Type	C ₅ Ah	Hours							Minutes					Seconds			
		10	8	5	3	2	1.5	1	30	20	15	10	5	60	30	5	1
KBH 9 P	9	0.88	1.11	1.73	2.83	4.17	5.45	7.83	12.1	14.1	15.8	17.9	22.2	30.9	35.8	45.0	47.4
KBH 13 P	13	1.27	1.60	2.50	4.09	6.02	7.88	11.3	17.4	20.3	22.8	25.9	32.1	44.7	51.7	65.0	68.4
KBH 17 P	17	1.66	2.09	3.27	5.35	7.87	10.3	14.8	22.8	26.6	29.8	33.9	42.0	58.4	67.6	85.0	89.5
KBH 21 P	21	2.05	2.58	4.03	6.61	9.72	12.7	18.3	28.2	32.8	36.8	41.9	51.8	72.2	83.5	105	111
KBH 30 P	30	2.92	3.69	5.76	9.44	13.9	18.2	26.1	40.2	46.9	52.5	59.8	74.1	103	119	150	158
KBH 34 P	34	3.31	4.18	6.53	10.7	15.7	20.6	29.6	45.6	53.2	59.5	67.8	83.9	117	135	170	179
KBH 40 P	40	3.90	4.92	7.80	12.8	18.6	24.3	34.8	52.8	61.8	69.6	78.3	94.4	127	144	172	180
KBH 50 P	50	4.87	6.15	9.75	16.0	23.2	30.3	43.5	66.1	77.3	86.9	97.9	118	159	180	215	225
KBH 54 P	54	5.26	6.64	10.5	17.3	25.0	32.7	47.0	72.4	86.4	97.4	110	136	187	216	264	296
KBH 59 P	59	5.75	7.26	11.5	18.9	27.3	35.8	51.3	79.1	94.4	106	121	148	204	236	289	324
KBH 64 P	64	6.24	7.87	12.5	20.5	29.7	38.8	55.7	85.8	102	115	131	161	221	256	313	351
KBH 69 P	69	6.73	8.49	13.5	22.1	32.0	41.8	60.0	92.5	110	124	141	174	239	276	338	379
KBH 79 P	79	7.70	9.72	15.4	25.3	36.6	47.9	68.7	106	126	142	161	199	273	316	387	434
KBH 88 P	88	8.58	10.8	17.2	28.2	40.8	53.3	76.5	118	141	159	180	221	304	352	431	483
KBH 98 P	98	9.55	12.1	19.1	31.4	45.4	59.4	85.2	131	157	177	200	247	339	392	480	538
KBH 103 P	103	10.0	12.7	20.1	33.0	47.7	62.4	89.6	138	165	186	210	259	356	412	504	565
KBH 110 P	110	10.7	13.5	21.4	35.2	51.0	66.7	95.7	147	176	198	225	277	381	440	539	604
KBH 118 P	118	11.5	14.5	23.0	37.8	54.7	71.5	103	158	189	213	241	297	408	472	578	648
KBH 127 P	127	12.4	15.6	24.8	40.6	58.8	77.0	110	170	203	229	259	319	439	508	622	697
KBH 137 P	137	13.4	16.8	26.7	43.8	63.5	83.0	119	184	219	247	280	345	474	548	671	752
KBH 147 P	147	14.3	18.1	28.7	47.0	68.1	89.1	128	197	235	265	300	370	509	588	720	807
KBH 157 P	157	15.3	19.3	30.6	50.3	72.7	95.2	137	210	251	283	321	395	543	628	769	862
KBH 170 P	170	16.6	20.9	33.1	54.4	78.8	103	148	228	272	307	347	428	588	680	833	933
KBH 177 P	177	17.3	21.8	34.5	56.7	82.0	107	154	237	283	319	362	445	612	708	867	972
KBH 185 P	185	18.0	22.8	36.1	59.2	85.7	112	161	248	296	334	378	465	640	740	906	1016
KBH 196 P	196	19.1	24.1	38.2	62.7	90.8	119	170	263	314	354	400	493	678	784	960	1076
KBH 206 P	206	20.1	25.3	40.2	65.9	95.5	125	179	276	330	372	421	518	713	824	1009	1131
KBH 218 P	218	21.2	26.8	42.5	69.8	101	132	190	292	349	393	445	548	754	872	1068	1197
KBH 236 P	236	23.0	29.0	46.0	75.5	109	143	205	316	378	426	482	594	816	944	1156	1296
KBH 245 P	245	23.9	30.1	47.8	78.4	114	148	213	328	392	442	501	616	848	980	1200	1345
KBH 255 P	255	24.9	31.3	49.7	81.6	118	155	222	337	394	443	499	602	808	919	1095	1150
KBH 265 P	265	25.8	32.6	51.7	84.8	123	161	230	350	410	461	519	626	840	956	1137	1195
KBH 275 P	275	26.8	33.8	53.6	88.0	128	167	239	363	425	478	538	649	872	992	1180	1240
KBH 290 P	290	28.3	35.6	56.6	92.8	135	176	252	383	448	504	568	685	919	1046	1245	1308
KBH 300 P	300	29.2	36.9	58.5	96.0	139	182	261	396	464	522	587	708	951	1082	1288	1353
KBH 315 P	315	30.7	38.7	61.4	101	146	191	274	416	487	548	617	744	999	1136	1352	1421
KBH 330 P	330	32.2	40.6	64.4	106	153	200	287	436	510	574	646	779	1046	1190	1416	1488
KBH 353 P	353	34.4	43.4	68.8	113	164	214	307	473	565	637	721	888	1221	1412	1729	1938
KBH 362 P	362	35.3	44.5	70.6	116	168	219	315	485	579	653	740	911	1252	1448	1773	1987

Performance data of KBH range in Amperes

After long term float charge of fully charged cells at +20°C ±5°C (+68°F ± 9°F)

Final Cell Voltage: 1.10 V

Cell Type	C ₅ Ah	Hours							Minutes					Seconds			
		10	8	5	3	2	1.5	1	30	20	15	10	5	60	30	5	1
KBH 375 P	375	36.5	46.1	73.1	120	174	228	326	495	580	652	734	885	1189	1352	1610	1691
KBH 393 P	393	38.3	48.3	76.6	126	182	238	342	519	607	683	770	928	1246	1417	1687	1772
KBH 410 P	410	40.0	50.4	80.0	131	190	249	357	542	634	713	803	968	1300	1478	1760	1849
KBH 420 P	420	40.9	51.6	81.9	134	195	255	365	555	649	730	822	991	1332	1514	1803	1894
KBH 430 P	430	41.9	52.9	83.9	138	200	261	374	568	665	748	842	1015	1363	1551	1846	1939
KBH 450 P	450	43.9	55.3	87.8	144	209	273	391	594	695	782	881	1062	1427	1623	1931	2029
KBH 471 P	471	45.9	57.9	91.9	151	219	286	410	622	728	819	922	1112	1493	1698	2022	2124
KBH 481 P	481	46.9	59.1	93.8	154	223	292	418	635	743	836	942	1135	1525	1734	2065	2169
KBH 491 P	491	47.9	60.3	95.8	157	228	298	427	649	759	854	961	1159	1557	1770	2107	2214
KBH 510 P	510	49.7	62.7	99.5	163	237	309	443	674	788	887	999	1204	1617	1839	2189	2300
KBH 530 P	530	51.7	65.1	103	170	246	322	461	700	819	922	1038	1251	1680	1911	2275	2390
KBH 540 P	540	52.6	66.4	105	173	251	328	470	713	835	939	1057	1275	1712	1947	2318	2435
KBH 560 P	560	54.6	68.8	109	179	260	340	487	740	865	974	1097	1322	1775	2019	2404	2526
KBH 575 P	575	56.0	70.7	112	184	267	349	500	760	889	1000	1126	1357	1823	2073	2468	2593
KBH 590 P	590	57.5	72.5	115	189	274	358	513	779	912	1026	1155	1393	1870	2127	2532	2661
KBH 600 P	600	58.5	73.7	117	192	278	364	522	793	927	1043	1175	1416	1902	2164	2575	2706
KBH 615 P	615	59.9	75.6	120	197	285	373	535	812	950	1069	1204	1452	1950	2218	2640	2774
KBH 630 P	630	61.4	77.4	123	202	292	382	548	832	974	1095	1234	1487	1997	2272	2704	2841
KBH 640 P	640	62.4	78.7	125	205	297	388	557	845	989	1113	1253	1511	2029	2308	2747	2886
KBH 655 P	655	63.8	80.5	128	210	304	397	570	865	1012	1139	1283	1546	2077	2362	2811	2954
KBH 670 P	670	65.3	82.3	131	214	311	407	583	885	1035	1165	1312	1582	2124	2416	2876	3022
KBH 680 P	680	66.3	83.6	133	218	316	413	591	898	1051	1182	1332	1605	2156	2452	2919	3067
KBH 690 P	690	67.3	84.8	135	221	320	419	600	912	1066	1200	1351	1629	2187	2488	2962	3112
KBH 705 P	705	68.7	86.7	137	226	327	428	613	931	1090	1226	1381	1664	2235	2542	3026	3180
KBH 725 P	725	70.7	89.1	141	232	336	440	630	958	1120	1261	1420	1711	2298	2614	3112	3270
KBH 755 P	755	73.6	92.8	147	242	350	458	657	997	1167	1313	1478	1782	2394	2722	3241	3405
KBH 765 P	765	74.6	94.0	149	245	355	464	665	1011	1182	1330	1498	1806	2425	2758	3284	3450
KBH 785 P	785	76.5	96.5	153	251	364	476	683	1037	1213	1365	1537	1853	2489	2831	3369	3540
KBH 800 P	800	78.0	98.3	156	256	371	485	696	1057	1236	1391	1567	1888	2536	2885	3434	3608
KBH 825 P	825	80.4	101	161	264	383	501	717	1090	1275	1435	1615	1947	2615	2975	3541	3721
KBH 840 P	840	81.9	103	164	269	390	510	730	1110	1298	1461	1645	1983	2663	3029	3605	3788
KBH 865 P	865	84.3	106	169	277	401	525	752	1143	1337	1504	1694	2042	2742	3119	3713	3901
KBH 890 P	890	86.7	109	174	285	413	540	774	1176	1375	1548	1743	2101	2822	3209	3820	4014
KBH 910 P	910	88.7	112	177	291	422	552	791	1202	1406	1582	1782	2148	2885	3281	3906	4104
KBH 920 P	920	89.7	113	179	294	427	558	800	1215	1422	1600	1802	2172	2917	3317	3949	4149
KBH 930 P	930	90.6	114	181	298	432	564	809	1229	1437	1617	1821	2195	2948	3353	3992	4194
KBH 950 P	950	92.6	117	185	304	441	576	826	1255	1468	1652	1860	2242	3012	3426	4078	4284
KBH 990 P	990	96.5	122	193	317	459	601	861	1308	1530	1721	1939	2337	3139	3570	4249	4465

Performance data of KBH range in Amperes

After long term float charge of fully charged cells at +20°C ±5°C (+68°F ± 9°F)

Final Cell Voltage: 1.05 V

Cell Type	C ₅ Ah	Hours							Minutes					Seconds			
		10	8	5	3	2	1.5	1	30	20	15	10	5	60	30	5	1
KBH 9 P	9	0.90	1.12	1.77	2.92	4.32	5.67	8.21	14.6	18.2	20.2	23.9	28.5	39.3	45.2	55.2	59.6
KBH 13 P	13	1.30	1.62	2.56	4.22	6.24	8.19	11.9	21.1	26.3	29.1	34.5	41.1	56.7	65.3	79.8	86.1
KBH 17 P	17	1.70	2.12	3.35	5.51	8.15	10.7	15.5	27.6	34.4	38.1	45.1	53.7	74.1	85.4	104	113
KBH 21 P	21	2.10	2.62	4.14	6.81	10.1	13.2	19.2	34.1	42.5	47.0	55.7	66.4	91.6	106	129	139
KBH 30 P	30	3.00	3.74	5.91	9.73	14.4	18.9	27.4	48.7	60.7	67.2	79.5	94.8	131	151	184	199
KBH 34 P	34	3.40	4.23	6.70	11.0	16.3	21.4	31.0	55.2	68.7	76.2	90.1	107	148	171	209	225
KBH 40 P	40	4.00	4.98	7.89	13.0	19.2	25.2	36.5	64.9	79.1	89.7	105	123	159	180	217	226
KBH 50 P	50	5.00	6.23	9.86	16.2	24.0	31.5	45.6	81.2	98.8	112	132	153	199	224	271	282
KBH 54 P	54	5.39	6.72	10.6	17.5	25.9	34.0	49.1	88.3	114	125	148	175	237	270	333	358
KBH 59 P	59	5.89	7.34	11.6	19.2	28.3	37.1	53.7	96.5	125	136	161	191	259	295	364	391
KBH 64 P	64	6.39	7.97	12.6	20.8	30.7	40.3	58.2	105	135	148	175	207	281	320	395	424
KBH 69 P	69	6.89	8.59	13.6	22.4	33.1	43.4	62.8	113	146	159	189	224	303	345	426	457
KBH 79 P	79	7.89	9.83	15.6	25.6	37.9	49.7	71.9	129	167	182	216	256	347	395	488	523
KBH 88 P	88	8.79	11.0	17.3	28.6	42.2	55.4	80.1	144	186	203	241	285	386	440	543	583
KBH 98 P	98	9.79	12.2	19.3	31.8	47.0	61.6	89.2	160	207	226	268	318	430	490	605	649
KBH 103 P	103	10.3	12.8	20.3	33.4	49.4	64.8	93.7	168	218	238	282	334	452	515	636	682
KBH 110 P	110	11.0	13.7	21.7	35.7	52.8	69.2	100	180	233	254	301	357	483	550	679	728
KBH 118 P	118	11.8	14.7	23.2	38.3	56.6	74.2	107	193	249	272	323	383	518	590	728	781
KBH 127 P	127	12.7	15.8	25.0	41.2	61.0	79.9	116	208	269	293	348	412	557	635	784	841
KBH 137 P	137	13.7	17.1	27.0	44.5	65.8	86.2	125	224	290	316	375	444	601	685	846	907
KBH 147 P	147	14.7	18.3	29.0	47.7	70.6	92.5	134	240	311	339	402	477	645	735	907	974
KBH 157 P	157	15.7	19.5	30.9	51.0	75.4	98.8	143	257	332	362	430	509	689	785	969	1040
KBH 170 P	170	17.0	21.2	33.5	55.2	81.6	107	155	278	359	392	465	551	746	850	1049	1126
KBH 177 P	177	17.7	22.0	34.9	57.5	85.0	111	161	289	374	408	484	574	776	885	1093	1172
KBH 185 P	185	18.5	23.0	36.4	60.1	88.8	116	168	302	391	427	506	600	812	925	1142	1225
KBH 196 P	196	19.6	24.4	38.6	63.6	94.1	123	178	320	414	452	536	635	860	980	1210	1298
KBH 206 P	206	20.6	25.6	40.6	66.9	98.9	130	187	337	436	475	564	668	904	1030	1272	1364
KBH 218 P	218	21.8	27.1	42.9	70.8	105	137	198	356	461	503	597	707	956	1090	1346	1444
KBH 236 P	236	23.6	29.4	46.5	76.6	113	148	215	386	499	545	646	765	1035	1180	1457	1563
KBH 245 P	245	24.5	30.5	48.3	79.5	118	154	223	401	518	565	670	794	1075	1225	1512	1623
KBH 255 P	255	25.5	31.8	50.3	82.8	122	161	233	414	504	572	672	782	1014	1144	1381	1439
KBH 265 P	265	26.5	33.0	52.3	86.1	127	167	242	430	524	594	699	813	1054	1189	1435	1495
KBH 275 P	275	27.5	34.3	54.2	89.3	132	173	251	446	544	616	725	844	1093	1234	1489	1552
KBH 290 P	290	29.0	36.1	57.2	94.2	139	183	264	471	573	650	764	890	1153	1302	1570	1636
KBH 300 P	300	30.0	37.4	59.2	97.4	144	189	274	487	593	672	791	920	1193	1346	1624	1693
KBH 315 P	315	31.5	39.2	62.1	102	151	198	287	511	623	706	830	966	1252	1414	1705	1778
KBH 330 P	330	33.0	41.1	65.1	107	159	208	301	536	652	740	870	1012	1312	1481	1787	1862
KBH 353 P	353	35.3	43.9	69.5	115	169	222	321	577	746	815	966	1144	1549	1765	2179	2338
KBH 362 P	362	36.2	45.1	71.3	118	174	228	329	592	765	835	991	1174	1588	1810	2235	2397

Performance data of KBH range in Amperes

After long term float charge of fully charged cells at +20°C ±5°C (+68°F ± 9°F)

Final Cell Voltage: 1.05 V

Cell Type	C ₅ Ah	Hours							Minutes					Seconds			
		10	8	5	3	2	1.5	1	30	20	15	10	5	60	30	5	1
KBH 375 P	375	37.5	46.7	73.9	122	180	236	342	609	741	841	989	1150	1491	1683	2030	2116
KBH 393 P	393	39.3	49.0	77.5	128	189	247	358	638	777	881	1036	1206	1563	1764	2128	2218
KBH 410 P	410	41.0	51.1	80.9	133	197	258	374	665	810	919	1081	1258	1630	1840	2220	2314
KBH 420 P	420	42.0	52.3	82.8	136	202	264	383	682	830	941	1107	1288	1670	1885	2274	2370
KBH 430 P	430	43.0	53.6	84.8	140	207	271	392	698	850	964	1134	1319	1710	1930	2328	2426
KBH 450 P	450	45.0	56.1	88.7	146	216	283	410	730	889	1009	1186	1380	1789	2020	2436	2539
KBH 471 P	471	47.1	58.7	92.9	153	226	297	429	764	931	1056	1242	1445	1873	2114	2550	2658
KBH 481 P	481	48.1	59.9	94.9	156	231	303	439	781	951	1078	1268	1476	1913	2159	2604	2714
KBH 491 P	491	49.1	61.2	96.8	159	236	309	448	797	970	1101	1294	1506	1952	2204	2658	2771
KBH 510 P	510	50.9	63.5	101	166	245	321	465	828	1008	1143	1344	1565	2028	2289	2761	2878
KBH 530 P	530	52.9	66.0	105	172	255	334	483	860	1048	1188	1397	1626	2107	2379	2869	2991
KBH 540 P	540	53.9	67.3	106	175	259	340	492	876	1067	1210	1423	1657	2147	2424	2924	3047
KBH 560 P	560	55.9	69.8	110	182	269	353	511	909	1107	1255	1476	1718	2227	2513	3032	3160
KBH 575 P	575	57.4	71.6	113	187	276	362	524	933	1137	1289	1516	1764	2286	2581	3113	3245
KBH 590 P	590	58.9	73.5	116	192	283	371	538	958	1166	1323	1555	1810	2346	2648	3194	3329
KBH 600 P	600	59.9	74.7	118	195	288	378	547	974	1186	1345	1582	1841	2386	2693	3248	3386
KBH 615 P	615	61.4	76.6	121	200	295	387	561	998	1216	1379	1621	1887	2445	2760	3330	3470
KBH 630 P	630	62.9	78.5	124	205	303	397	574	1022	1245	1412	1661	1933	2505	2827	3411	3555
KBH 640 P	640	63.9	79.7	126	208	307	403	584	1039	1265	1435	1687	1963	2545	2872	3465	3611
KBH 655 P	655	65.4	81.6	129	213	315	412	597	1063	1295	1468	1727	2009	2604	2940	3546	3696
KBH 670 P	670	66.9	83.5	132	218	322	422	611	1087	1324	1502	1766	2055	2664	3007	3627	3781
KBH 680 P	680	67.9	84.7	134	221	327	428	620	1104	1344	1524	1793	2086	2704	3052	3681	3837
KBH 690 P	690	68.9	86.0	136	224	331	434	629	1120	1364	1547	1819	2117	2744	3097	3736	3894
KBH 705 P	705	70.4	87.8	139	229	339	444	643	1144	1393	1580	1858	2163	2803	3164	3817	3978
KBH 725 P	725	72.4	90.3	143	235	348	456	661	1177	1433	1625	1911	2224	2883	3254	3925	4091
KBH 755 P	755	75.4	94.1	149	245	363	475	688	1225	1492	1692	1990	2316	3002	3388	4088	4260
KBH 765 P	765	76.4	95.3	151	248	367	482	698	1242	1512	1715	2017	2347	3042	3433	4142	4317
KBH 785 P	785	78.4	97.8	155	255	377	494	716	1274	1552	1760	2069	2408	3121	3523	4250	4430
KBH 800 P	800	79.9	99.7	158	260	384	504	729	1298	1581	1793	2109	2454	3181	3590	4331	4514
KBH 825 P	825	82.4	103	163	268	396	519	752	1339	1631	1849	2175	2531	3280	3703	4467	4655
KBH 840 P	840	83.9	105	166	273	403	529	766	1363	1660	1883	2214	2577	3340	3770	4548	4740
KBH 865 P	865	86.4	108	171	281	415	545	789	1404	1710	1939	2280	2654	3439	3882	4683	4881
KBH 890 P	890	88.9	111	176	289	427	560	812	1444	1759	1995	2346	2730	3539	3994	4818	5022
KBH 910 P	910	90.9	113	179	296	437	573	830	1477	1799	2040	2399	2792	3618	4084	4927	5135
KBH 920 P	920	91.9	115	181	299	442	579	839	1493	1818	2062	2425	2822	3658	4129	4981	5191
KBH 930 P	930	92.9	116	183	302	447	585	848	1509	1838	2085	2452	2853	3698	4174	5035	5248
KBH 950 P	950	94.9	118	187	309	456	598	866	1542	1878	2129	2504	2914	3777	4264	5143	5361
KBH 990 P	990	98.9	123	195	322	476	623	903	1607	1957	2219	2610	3037	3936	4443	5360	5586

Performance data of KBH range in Amperes

After long term float charge of fully charged cells at +20°C ±5°C (+68°F ± 9°F)

Final Cell Voltage: 1.00 V

Cell Type	C ₅ Ah	Hours							Minutes					Seconds			
		10	8	5	3	2	1.5	1	30	20	15	10	5	60	30	5	1
KBH 9 P	9	0.91	1.14	1.80	2.96	4.40	5.79	8.46	15.5	20.9	23.8	28.0	34.7	46.7	53.0	66.9	73.2
KBH 13 P	13	1.31	1.64	2.60	4.28	6.35	8.37	12.2	22.4	30.1	34.4	40.4	50.2	67.5	76.6	96.7	106
KBH 17 P	17	1.71	2.15	3.40	5.59	8.31	10.9	16.0	29.3	39.4	44.9	52.9	65.6	88.3	100	126	138
KBH 21 P	21	2.11	2.65	4.20	6.91	10.3	13.5	19.7	36.2	48.7	55.5	65.3	81.0	109	124	156	171
KBH 30 P	30	3.02	3.79	6.00	9.87	14.7	19.3	28.2	51.7	69.6	79.3	93.3	116	156	177	223	244
KBH 34 P	34	3.42	4.29	6.80	11.2	16.6	21.9	32.0	58.6	78.8	89.9	106	131	177	200	253	277
KBH 40 P	40	4.03	5.05	8.00	13.2	19.6	25.8	37.7	68.4	91.9	105	124	151	190	214	260	277
KBH 50 P	50	5.04	6.31	10.0	16.5	24.4	32.2	47.1	85.5	115	132	156	189	238	267	325	346
KBH 54 P	54	5.44	6.82	10.8	17.8	26.4	34.7	50.8	93.1	125	146	173	215	280	318	400	439
KBH 59 P	59	5.94	7.45	11.8	19.5	28.8	38.0	55.5	102	137	159	189	235	306	348	437	480
KBH 64 P	64	6.45	8.08	12.8	21.1	31.3	41.2	60.2	110	148	173	205	255	332	377	474	521
KBH 69 P	69	6.95	8.71	13.8	22.8	33.7	44.4	64.9	119	160	186	221	275	358	406	512	561
KBH 79 P	79	7.96	9.97	15.8	26.1	38.6	50.8	74.3	136	183	213	253	314	410	465	586	643
KBH 88 P	88	8.86	11.1	17.6	29.1	43.0	56.6	82.8	152	204	237	282	350	457	518	652	716
KBH 98 P	98	9.87	12.4	19.6	32.4	47.9	63.1	92.2	169	227	264	314	390	509	577	727	797
KBH 103 P	103	10.4	13.0	20.6	34.0	50.3	66.3	96.9	178	239	278	330	410	535	607	764	838
KBH 110 P	110	11.1	13.9	22.0	36.3	53.7	70.8	103	190	255	297	353	438	571	648	816	895
KBH 118 P	118	11.9	14.9	23.6	39.0	57.6	75.9	111	204	274	318	378	470	613	695	875	960
KBH 127 P	127	12.8	16.0	25.4	41.9	62.0	81.7	119	219	295	342	407	505	659	748	942	1033
KBH 137 P	137	13.8	17.3	27.4	45.2	66.9	88.2	129	236	318	369	439	545	711	807	1016	1114
KBH 147 P	147	14.8	18.6	29.4	48.5	71.8	94.6	138	254	341	396	472	585	763	866	1090	1196
KBH 157 P	157	15.8	19.8	31.4	51.8	76.7	101	148	271	364	423	504	625	815	925	1164	1277
KBH 170 P	170	17.1	21.5	34.0	56.1	83.0	109	160	293	394	458	545	676	883	1001	1260	1383
KBH 177 P	177	17.8	22.3	35.4	58.4	86.4	114	166	305	410	477	568	704	919	1043	1312	1440
KBH 185 P	185	18.6	23.4	37.0	61.1	90.3	119	174	319	429	499	593	736	961	1090	1372	1505
KBH 196 P	196	19.7	24.7	39.2	64.7	95.7	126	184	338	455	528	629	780	1018	1154	1453	1594
KBH 206 P	206	20.7	26.0	41.2	68.0	101	133	194	355	478	555	661	820	1070	1213	1527	1676
KBH 218 P	218	22.0	27.5	43.6	72.0	106	140	205	376	506	588	699	867	1132	1284	1616	1773
KBH 236 P	236	23.8	29.8	47.2	77.9	115	152	222	407	547	636	757	939	1225	1390	1750	1920
KBH 245 P	245	24.7	30.9	49.0	80.9	120	158	230	423	568	660	786	975	1272	1443	1816	1993
KBH 255 P	255	25.7	32.2	51.0	84.2	125	164	240	436	586	672	794	963	1213	1364	1658	1764
KBH 265 P	265	26.7	33.5	53.0	87.5	130	171	250	453	609	698	825	1000	1260	1417	1723	1833
KBH 275 P	275	27.7	34.7	55.0	90.8	134	177	259	470	632	724	856	1038	1308	1471	1788	1902
KBH 290 P	290	29.2	36.6	58.0	95.7	142	187	273	496	667	764	902	1095	1379	1551	1886	2006
KBH 300 P	300	30.2	37.9	60.0	99.0	147	193	283	513	690	790	934	1132	1427	1605	1951	2075
KBH 315 P	315	31.7	39.8	63.0	104	154	203	297	539	724	830	980	1189	1498	1685	2049	2179
KBH 330 P	330	33.2	41.7	66.0	109	161	213	311	564	758	869	1027	1246	1569	1765	2146	2283
KBH 353 P	353	35.5	44.6	70.6	117	172	227	332	609	819	952	1132	1405	1833	2079	2617	2871
KBH 362 P	362	36.5	45.7	72.4	120	177	233	340	624	840	976	1161	1440	1880	2132	2684	2945

Performance data of KBH range in Amperes

After long term float charge of fully charged cells at +20°C ±5°C (+68°F ± 9°F)

Final Cell Voltage: 1.00 V

Cell Type	C ₅ Ah	Hours							Minutes					Seconds			
		10	8	5	3	2	1.5	1	30	20	15	10	5	60	30	5	1
KBH 375 P	375	37.8	47.3	75.0	124	183	241	353	641	862	988	1167	1415	1783	2006	2439	2594
KBH 393 P	393	39.6	49.6	78.6	130	192	253	370	672	903	1035	1223	1483	1869	2102	2556	2719
KBH 410 P	410	41.3	51.8	82.0	135	200	264	386	701	942	1080	1276	1548	1950	2193	2666	2836
KBH 420 P	420	42.3	53.0	84.0	139	205	270	396	718	965	1106	1307	1585	1997	2246	2731	2905
KBH 430 P	430	43.3	54.3	86.0	142	210	277	405	735	988	1133	1338	1623	2045	2300	2797	2974
KBH 450 P	450	45.3	56.8	90.0	149	220	290	424	770	1034	1185	1400	1699	2140	2407	2927	3113
KBH 471 P	471	47.4	59.5	94.2	155	230	303	444	806	1083	1241	1466	1778	2240	2519	3063	3258
KBH 481 P	481	48.4	60.7	96.2	159	235	310	453	823	1106	1267	1497	1816	2287	2573	3128	3327
KBH 491 P	491	49.4	62.0	98.2	162	240	316	463	840	1128	1293	1528	1853	2335	2626	3193	3396
KBH 510 P	510	51.4	64.4	102	168	249	328	480	872	1172	1343	1587	1925	2425	2728	3317	3528
KBH 530 P	530	53.4	66.9	106	175	259	341	499	907	1218	1396	1649	2001	2520	2835	3447	3666
KBH 540 P	540	54.4	68.2	108	178	264	348	509	924	1241	1422	1681	2038	2568	2888	3512	3735
KBH 560 P	560	56.4	70.7	112	185	274	361	528	958	1287	1475	1743	2114	2663	2995	3642	3874
KBH 575 P	575	57.9	72.6	115	190	281	370	542	983	1322	1515	1789	2170	2734	3075	3740	3978
KBH 590 P	590	59.4	74.5	118	195	289	380	556	1009	1356	1554	1836	2227	2805	3156	3837	4081
KBH 600 P	600	60.4	75.7	120	198	293	386	565	1026	1379	1580	1867	2265	2853	3209	3902	4150
KBH 615 P	615	61.9	77.6	123	203	301	396	579	1052	1413	1620	1914	2321	2924	3289	4000	4254
KBH 630 P	630	63.4	79.5	126	208	308	406	594	1078	1448	1660	1961	2378	2996	3370	4097	4358
KBH 640 P	640	64.5	80.8	128	211	313	412	603	1095	1471	1686	1992	2416	3043	3423	4162	4427
KBH 655 P	655	66.0	82.7	131	216	320	422	617	1120	1505	1725	2038	2472	3115	3503	4260	4531
KBH 670 P	670	67.5	84.6	134	221	328	431	631	1146	1540	1765	2085	2529	3186	3584	4357	4635
KBH 680 P	680	68.5	85.8	136	224	333	438	641	1163	1563	1791	2116	2567	3233	3637	4422	4704
KBH 690 P	690	69.5	87.1	138	228	337	444	650	1180	1586	1818	2147	2604	3281	3691	4487	4773
KBH 705 P	705	71.0	89.0	141	233	345	454	664	1206	1620	1857	2194	2661	3352	3771	4585	4877
KBH 725 P	725	73.0	91.5	145	239	355	467	683	1240	1666	1910	2256	2737	3447	3878	4715	5015
KBH 755 P	755	76.0	95.3	151	249	369	486	711	1291	1735	1989	2350	2850	3590	4038	4910	5223
KBH 765 P	765	77.0	96.6	153	252	374	493	721	1308	1758	2015	2381	2888	3638	4092	4975	5292
KBH 785 P	785	79.1	99.1	157	259	384	506	740	1343	1804	2068	2443	2963	3733	4199	5105	5430
KBH 800 P	800	80.6	101	160	264	391	515	754	1368	1839	2107	2490	3020	3804	4279	5203	5534
KBH 825 P	825	83.1	104	165	272	403	531	777	1411	1896	2173	2567	3114	3923	4413	5365	5707
KBH 840 P	840	84.6	106	168	277	411	541	791	1437	1931	2213	2614	3171	3994	4493	5463	5811
KBH 865 P	865	87.1	109	173	285	423	557	815	1480	1988	2279	2692	3265	4113	4627	5626	5984
KBH 890 P	890	89.6	112	178	294	435	573	838	1522	2046	2344	2770	3359	4232	4760	5788	6156
KBH 910 P	910	91.6	115	182	300	445	586	857	1556	2092	2397	2832	3435	4327	4867	5918	6295
KBH 920 P	920	92.6	116	184	304	450	592	867	1574	2114	2423	2863	3473	4375	4921	5983	6364
KBH 930 P	930	93.7	117	186	307	455	599	876	1591	2137	2450	2894	3510	4422	4974	6048	6433
KBH 950 P	950	95.7	120	190	314	465	612	895	1625	2183	2502	2956	3586	4517	5081	6178	6572
KBH 990 P	990	99.7	125	198	327	484	638	933	1693	2275	2608	3081	3737	4708	5295	6439	6848

M Range

Cell dimensions and weight details

Cell type	Capacity (C _s Ah)	Cell dimensions in mm					Approx. weight per cell in kg	Cell connection bolt size	Container size reference	Approx. reserve electrolyte cc/cell
		Height	Width	Length per block						
				1.2 V L (1)	2.4 V L (2)	3.6 V L (3)				
KBM 12 P	12	264	123		69	100	1.30	M6	B21-1	90
KBM 17 P	17									
KBM 22 P	22	264	123		79	115	1.80	M6	B22-1	110
KBM 28 P	28									
KBM 35 P	35	264	123		103	151	2.30	M6	B23-1	145
KBM 44 P	44									
KBM 50 P	50	405	195		79	115	3.30	M10	B45-1	280
KBM 57 P	57									
KBM 67 P	67	405	195		79	115	4.25	M10	B45-1	280
KBM 75 P	75									
KBM 90 P	90	405	195		94	137	5.00	M10	B44-1	350
KBM 95 P	95									
KBM 100 P	100	405	195		94	137	5.30	M10	B44-1	350
KBM 112 P	112									
KBM 118 P	118	405	195		115	169	6.60	M10	B42A-1	450
KBM 128 P	128									
KBM 138 P	138	405	195		115	169	7.00	M10	B42A-1	450
KBM 150 P	150									
KBM 161 P	161	405	195		127	187	8.20	M10	B42-1	515
KBM 170 P	170									
KBM 184 P	184	405	195		159	232	8.40	M10	B42-1	515
KBM 193 P	193									
KBM 200 P	200	405	195		183	268	9.70	M10	B41B-1	650
KBM 208 P	208									
KBM 218 P	218	405	195		183	268	10.5	M10	B41-1	745
KBM 231 P	231									
KBM 241 P	241	405	195		183	268	10.8	M10	B41-1	745
KBM 250 P	250									
KBM 260 P	260	405	195	120	228	336	11.0	2 x M10	B42A-2	900
KBM 277 P	277									
KBM 300 P	300	405	195	132	252	372	11.6	2 x M10	B42-2	1030
KBM 323 P	323									
KBM 346 P	346	405	195	159	304		17.3	2 x M10	B41B-2	1300
KBM 369 P	369									
KBM 390 P	390	405	195	183	352		19.4	2 x M10	B41-2	1490
KBM 400 P	400									
KBM 415 P	415	405	195	183	352		21.0	2 x M10	B41-2	1490
KBM 438 P	438									
KBM 461 P	461	405	195	183	352		21.7	2 x M10	B41-2	1490
KBM 485 P	485									
							22.9			
							23.2			

M Range

Cell dimensions and weight details

Cell type	Capacity (C _s Ah)	Cell dimensions in mm					Approx. weight per cell in kg	Cell connection bolt size	Container size reference	Approx. reserve electrolyte cc/cell								
		Height	Width	Length per block														
				1.2 V L (1)	2.4 V L (2)	3.6 V L (3)												
KBM 505 P	505	405	195	232			27.6	3 x M10	B41B-3	1950								
KBM 525 P	525						28.4											
KBM 555 P	555						29.0											
KBM 580 P	580						29.3											
KBM 600 P	600	405	195	268			32.5	3 x M10	B41-3	2235								
KBM 625 P	625						32.9											
KBM 650 P	650						33.2											
KBM 675 P	675						34.1											
KBM 690 P	690						34.7											
KBM 723 P	723						35.0											
KBM 740 P	740	405	195	304			38.7	4 x M10	B41B-4	2600								
KBM 770 P	770						39.1											
KBM 790 P	790	405	195	352			43.4	4 x M10	B41-4	2980								
KBM 805 P	805						43.0											
KBM 830 P	830						43.4											
KBM 865 P	865						43.8											
KBM 890 P	890						45.2											
KBM 920 P	920						46.0											
KBM 940 P	940						45.9											
KBM 965 P	965						46.2											
KBM 1000 P	1000						405				195	437			54.1	5 x M10	B41-5	3725
KBM 1040 P	1040														55.4			
KBM 1080 P	1080	56.0																
KBM 1100 P	1100	56.1																
KBM 1150 P	1150	58.4																
KBM 1180 P	1180	58.6																
KBM 1220 P	1220	405	195	522			64.3	6 x M10	B41-6	4470								
KBM 1270 P	1270						65.6											
KBM 1320 P	1320						65.9											
KBM 1390 P	1390						69.3											
KBM 1445 P	1445						70.0											
KBM 1460 P	1460						70.1											

Performance data of KBM range in Amperes

After fully charged with constant current charging at +20°C ±5°C (+68°F ± 9°F)

Final Cell Voltage: 1.14 V

Cell Type	C ₅ Ah	Hours							Minutes					Seconds			
		10	8	5	3	2	1.5	1	30	20	15	10	5	60	30	5	1
KBM 12 P	12	1.16	1.44	2.26	3.60	5.05	6.19	7.57	10.23	11.9	13.3	15.1	18.3	26.1	29.3	34.2	35.8
KBM 17 P	17	1.64	2.04	3.21	5.10	7.15	8.77	10.7	14.5	16.8	18.9	21.4	25.9	37.0	41.5	48.5	50.8
KBM 22 P	22	2.13	2.64	4.15	6.60	9.26	11.4	13.9	18.7	21.8	24.4	27.7	33.5	47.9	53.7	62.7	65.7
KBM 28 P	28	2.71	3.36	5.28	8.40	11.8	14.4	17.7	23.9	27.7	31.1	35.3	42.6	61.0	68.3	79.9	83.6
KBM 35 P	35	3.38	4.20	6.60	10.5	14.7	18.1	22.1	29.8	34.7	38.8	44.1	53.2	76.3	85.4	99.8	105
KBM 44 P	44	4.26	5.28	8.30	13.2	18.5	22.7	27.7	37.5	43.6	48.8	55.4	66.9	95.9	107	125	131
KBM 50 P	50	4.84	6.00	9.42	15.0	21.0	25.7	31.5	41.9	49.0	54.0	61.5	73.6	103	115	132	137
KBM 57 P	57	5.51	6.84	10.7	17.1	23.9	29.3	35.9	47.8	55.9	61.6	70.1	83.9	118	131	150	156
KBM 67 P	67	6.48	8.04	12.6	20.2	28.1	34.4	42.2	56.2	65.7	72.4	82.4	98.6	138	153	177	184
KBM 75 P	75	7.25	9.00	14.1	22.6	31.5	38.5	47.2	62.9	73.6	81.1	92.3	110	155	172	198	206
KBM 90 P	90	8.70	10.8	17.0	27.1	37.8	46.2	56.7	75.5	88.3	97.3	111	132	186	206	238	247
KBM 95 P	95	9.19	11.4	17.9	28.6	39.9	48.8	59.8	79.7	93.2	103	117	140	196	218	251	260
KBM 100 P	100	9.67	12.0	18.8	30.1	42.0	51.4	63.0	83.9	98.1	108	123	147	206	229	264	274
KBM 112 P	112	10.8	13.4	21.1	33.7	47.0	57.6	70.6	93.9	110	121	138	165	231	256	296	307
KBM 118 P	118	11.4	14.2	22.2	35.5	49.6	60.6	74.3	98.9	116	128	145	174	243	270	312	323
KBM 128 P	128	12.4	15.4	24.11	38.50	53.8	65.8	80.6	107	126	138	157	188	264	293	338	351
KBM 138 P	138	13.3	16.6	26.0	41.5	58.0	70.9	86.9	116	135	149	170	203	285	316	364	378
KBM 150 P	150	14.5	18.0	28.3	45.1	63.0	77.1	94.5	126	147	162	185	221	309	344	396	411
KBM 161 P	161	15.6	19.3	30.3	48.4	67.6	82.7	101	135	158	174	198	237	332	369	425	441
KBM 170 P	170	16.4	20.4	32.0	51.1	71.4	87.4	107	143	167	184	209	250	351	389	449	466
KBM 184 P	184	17.8	22.1	34.7	55.3	77.3	94.5	116	154	181	199	226	271	379	421	486	504
KBM 193 P	193	18.7	23.2	36.4	58.0	81.1	99.2	122	162	189	209	237	284	398	442	510	529
KBM 200 P	200	19.3	24.0	37.7	60.2	84.0	103	126	168	196	216	246	294	412	458	528	548
KBM 208 P	208	20.1	25.0	39.2	62.6	87.4	107	131	174	204	225	256	306	429	476	549	570
KBM 218 P	218	21.1	26.2	41.1	65.6	91.6	112	137	183	214	236	268	321	450	499	576	597
KBM 231 P	231	22.3	27.7	43.5	69.5	97.0	119	146	194	227	250	284	340	476	529	610	633
KBM 241 P	241	23.3	28.9	45.4	72.5	101	124	152	202	236	260	296	355	497	552	636	660
KBM 250 P	250	24.2	30.0	47.1	75.2	105	128	157	210	245	270	308	368	515	573	660	685
KBM 260 P	260	25.1	31.2	49.0	78.2	109	134	164	218	255	281	320	383	536	595	686	713
KBM 277 P	277	26.8	33.3	52.2	83.3	116	142	175	232	272	299	341	408	571	634	731	759
KBM 300 P	300	29.0	36.0	56.5	90.2	126	154	189	252	294	324	369	442	619	687	792	822
KBM 323 P	323	31.2	38.8	60.8	97.1	136	166	203	271	317	349	397	475	666	740	853	885
KBM 346 P	346	33.5	41.5	65.2	104	145	178	218	290	339	374	426	509	713	792	913	948
KBM 369 P	369	35.7	44.3	69.5	111	155	190	232	309	362	399	454	543	761	845	974	1011
KBM 390 P	390	37.7	46.8	73.5	117	164	200	246	327	383	422	480	574	804	893	1030	1069
KBM 400 P	400	38.7	48.0	75.4	120	168	206	252	335	392	432	492	589	825	916	1056	1096
KBM 415 P	415	40.1	49.8	78.2	125	174	213	261	348	407	449	511	611	856	950	1096	1137
KBM 438 P	438	42.4	52.6	82.5	132	184	225	276	367	430	473	539	645	903	1003	1156	1200
KBM 461 P	461	44.6	55.3	86.8	139	194	237	290	387	452	498	567	679	951	1056	1217	1263
KBM 485 P	485	46.9	58.2	91.4	146	204	249	306	407	476	524	597	714	1000	1111	1280	1329

Performance data of KBM range in Amperes

After fully charged with constant current charging at +20°C ±5°C (+68°F ± 9°F)

Final Cell Voltage: 1.14 V

Cell Type	C ₅ Ah	Hours							Minutes					Seconds			
		10	8	5	3	2	1.5	1	30	20	15	10	5	60	30	5	1
KBM 505 P	505	48.8	60.6	95.1	152	212	259	318	423	495	546	621	743	1041	1156	1333	1384
KBM 525 P	525	50.8	63.0	98.9	158	220	270	331	440	515	567	646	773	1083	1202	1386	1439
KBM 555 P	555	53.7	66.6	105	167	233	285	350	465	544	600	683	817	1144	1271	1465	1521
KBM 580 P	580	56.1	69.6	109	174	244	298	365	486	569	627	714	854	1196	1328	1531	1590
KBM 600 P	600	58.0	72.0	113	180	252	308	378	503	589	649	738	883	1237	1374	1584	1644
KBM 625 P	625	60.4	75.0	118	188	262	321	394	524	613	676	769	920	1289	1431	1650	1713
KBM 650 P	650	62.9	78.0	122	195	273	334	409	545	638	703	800	957	1340	1489	1716	1781
KBM 675 P	675	65.3	81.0	127	203	283	347	425	566	662	730	830	994	1392	1546	1782	1850
KBM 690 P	690	66.7	82.8	130	208	290	355	435	579	677	746	849	1016	1423	1580	1822	1891
KBM 723 P	723	69.9	86.8	136	217	304	372	455	606	709	781	889	1064	1491	1656	1909	1981
KBM 740 P	740	71.6	88.8	139	223	311	380	466	620	726	800	910	1089	1526	1695	1954	2028
KBM 770 P	770	74.5	92.4	145	232	323	396	485	646	755	832	947	1133	1588	1763	2033	2110
KBM 790 P	790	76.4	94.8	149	238	332	406	498	662	775	854	972	1163	1629	1809	2086	2165
KBM 805 P	805	77.9	96.6	152	242	338	414	507	675	790	870	990	1185	1660	1844	2125	2206
KBM 830 P	830	80.3	99.6	156	250	349	426	523	696	814	897	1021	1222	1711	1901	2191	2275
KBM 865 P	865	83.7	104	163	260	363	444	545	725	849	935	1064	1273	1784	1981	2284	2371
KBM 890 P	890	86.1	107	168	268	374	457	561	746	873	962	1095	1310	1835	2038	2350	2439
KBM 920 P	920	89.0	110	173	277	386	473	580	771	903	994	1132	1354	1897	2107	2429	2521
KBM 940 P	940	90.9	113	177	283	395	483	592	788	922	1016	1156	1384	1938	2153	2482	2576
KBM 965 P	965	93.3	116	182	290	405	496	608	809	947	1043	1187	1421	1990	2210	2548	2645
KBM 1000 P	1000	96.7	120	188	301	420	514	630	839	981	1081	1230	1472	2062	2290	2640	2741
KBM 1040 P	1040	101	125	196	313	437	534	655	872	1020	1124	1279	1531	2144	2382	2746	2850
KBM 1080 P	1080	104	130	203	325	454	555	680	906	1059	1167	1329	1590	2227	2473	2851	2960
KBM 1100 P	1100	106	132	207	331	462	565	693	922	1079	1189	1353	1619	2268	2519	2904	3015
KBM 1150 P	1150	111	138	217	346	483	591	724	964	1128	1243	1415	1693	2371	2634	3036	3152
KBM 1180 P	1180	114	142	222	355	496	606	743	989	1158	1275	1452	1737	2433	2702	3115	3234
KBM 1220 P	1220	118	146	230	367	512	627	769	1023	1197	1319	1501	1796	2516	2794	3221	3343
KBM 1270 P	1270	123	152	239	382	533	653	800	1065	1246	1373	1562	1870	2619	2908	3353	3480
KBM 1320 P	1320	128	158	249	397	554	678	832	1107	1295	1427	1624	1943	2722	3023	3485	3617
KBM 1390 P	1390	134	167	262	418	584	714	876	1166	1364	1502	1710	2046	2866	3183	3670	3809
KBM 1445 P	1445	140	173	272	435	607	743	910	1212	1418	1562	1778	2127	2980	3309	3815	3960
KBM 1460 P	1460	141	175	275	439	613	750	920	1224	1432	1578	1796	2149	3011	3344	3854	4001

Performance data of KBM range in Amperes

After fully charged with constant current charging at +20°C ±5°C (+68°F ± 9°F)

Final Cell Voltage: 1.10 V

Cell Type	C ₅ Ah	Hours							Minutes					Seconds			
		10	8	5	3	2	1.5	1	30	20	15	10	5	60	30	5	1
KBM 12 P	12	1.19	1.48	2.34	3.79	5.36	6.77	8.76	11.9	14.0	15.5	17.6	21.3	30.3	34.2	40.4	44.5
KBM 17 P	17	1.69	2.10	3.32	5.37	7.59	9.60	12.4	16.8	19.9	21.9	25.0	30.2	42.9	48.5	57.3	63.0
KBM 22 P	22	2.19	2.71	4.29	6.95	9.82	12.4	16.1	21.8	25.7	28.4	32.3	39.1	55.5	62.7	74.1	81.5
KBM 28 P	28	2.78	3.45	5.47	8.85	12.5	15.8	20.4	27.7	32.7	36.1	41.1	49.8	70.6	79.9	94.3	104
KBM 35 P	35	3.48	4.32	6.83	11.1	15.6	19.8	25.5	34.7	40.9	45.2	51.4	62.3	88.2	99.8	118	130
KBM 44 P	44	4.37	5.42	8.59	13.9	19.6	24.8	32.1	43.6	51.4	56.8	64.6	78.3	111	125	148	163
KBM 50 P	50	4.96	6.16	9.75	15.8	22.3	28.2	36.6	49.2	57.5	63.0	72.0	86.0	120	134	158	167
KBM 57 P	57	5.65	7.02	11.1	18.0	25.5	32.2	41.8	56.1	65.6	71.8	82.1	98.0	137	153	180	191
KBM 67 P	67	6.64	8.25	13.1	21.1	29.9	37.8	49.1	66.0	77.1	84.4	96.5	115	161	179	212	224
KBM 75 P	75	7.43	9.24	14.6	23.6	33.5	42.3	55.0	73.9	86.3	94.5	108	129	180	201	237	251
KBM 90 P	90	8.92	11.1	17.5	28.4	40.2	50.8	66.0	88.6	104	113	130	155	216	241	284	301
KBM 95 P	95	9.42	11.7	18.5	29.9	42.4	53.6	69.6	93.5	109	120	137	163	228	254	300	318
KBM 100 P	100	9.91	12.3	19.5	31.5	44.7	56.4	73.3	98.5	115	126	144	172	240	268	316	335
KBM 112 P	112	11.1	13.8	21.8	35.3	50.0	63.2	82.1	110	129	141	161	193	269	300	354	375
KBM 118 P	118	11.7	14.5	23.0	37.2	52.7	66.6	86.5	116	136	149	170	203	283	316	373	395
KBM 128 P	128	12.7	15.8	24.96	40.35	57.2	72.2	93.8	126	147	161	184	220	307	343	405	428
KBM 138 P	138	13.7	17.0	26.9	43.5	61.6	77.9	101	136	159	174	199	237	331	369	436	462
KBM 150 P	150	14.9	18.5	29.2	47.3	67.0	84.6	110	148	173	189	216	258	360	402	474	502
KBM 161 P	161	16.0	19.8	31.4	50.8	71.9	90.8	118	159	185	203	232	277	386	431	509	539
KBM 170 P	170	16.8	20.9	33.1	53.6	75.9	95.9	125	167	196	214	245	292	408	455	537	569
KBM 184 P	184	18.2	22.7	35.9	58.0	82.2	104	135	181	212	232	265	316	441	493	581	616
KBM 193 P	193	19.1	23.8	37.6	60.8	86.2	109	141	190	222	243	278	332	463	517	610	646
KBM 200 P	200	19.8	24.6	39.0	63.0	89.3	113	147	197	230	252	288	344	479	535	632	670
KBM 208 P	208	20.6	25.6	40.6	65.6	92.9	117	152	205	239	262	300	358	499	557	657	696
KBM 218 P	218	21.6	26.9	42.5	68.7	97.3	123	160	215	251	275	314	375	523	584	689	730
KBM 231 P	231	22.9	28.5	45.0	72.8	103	130	169	227	266	291	333	397	554	618	730	773
KBM 241 P	241	23.9	29.7	47.0	76.0	108	136	177	237	277	304	347	414	578	645	762	807
KBM 250 P	250	24.8	30.8	48.7	78.8	112	141	183	246	288	315	360	430	599	669	790	837
KBM 260 P	260	25.8	32.0	50.7	82.0	116	147	191	256	299	328	374	447	623	696	822	870
KBM 277 P	277	27.5	34.1	54.0	87.3	124	156	203	273	319	349	399	476	664	742	875	927
KBM 300 P	300	29.7	37.0	58.5	94.6	134	169	220	295	345	378	432	516	719	803	948	1004
KBM 323 P	323	32.0	39.8	63.0	102	144	182	237	318	372	407	465	555	774	865	1021	1081
KBM 346 P	346	34.3	42.6	67.5	109	154	195	254	341	398	436	498	595	829	926	1093	1158
KBM 369 P	369	36.6	45.5	72.0	116	165	208	270	363	425	465	531	635	885	988	1166	1235
KBM 390 P	390	38.7	48.0	76.0	123	174	220	286	384	449	491	562	671	935	1044	1232	1306
KBM 400 P	400	39.6	49.3	78.0	126	179	226	293	394	460	504	576	688	959	1071	1264	1339
KBM 415 P	415	41.1	51.1	80.9	131	185	234	304	409	477	523	598	714	995	1111	1311	1389
KBM 438 P	438	43.4	54.0	85.4	138	196	247	321	431	504	552	631	753	1050	1173	1384	1466
KBM 461 P	461	45.7	56.8	89.9	145	206	260	338	454	530	581	664	793	1105	1234	1457	1543
KBM 485 P	485	48.1	59.7	94.6	153	217	274	355	478	558	611	698	834	1163	1298	1533	1624

Performance data of KBM range in Amperes

After fully charged with constant current charging at +20°C ±5°C (+68°F ± 9°F)

Final Cell Voltage: 1.10 V

Cell Type	C ₅ Ah	Hours							Minutes					Seconds			
		10	8	5	3	2	1.5	1	30	20	15	10	5	60	30	5	1
KBM 505 P	505	50.0	62.2	98.5	159	225	285	370	497	581	636	727	869	1211	1352	1596	1691
KBM 525 P	525	52.0	64.7	102	166	234	296	385	517	604	662	756	903	1259	1406	1659	1758
KBM 555 P	555	55.0	68.4	108	175	248	313	407	547	639	699	799	954	1331	1486	1754	1858
KBM 580 P	580	57.5	71.4	113	183	259	327	425	571	667	731	835	997	1390	1553	1833	1942
KBM 600 P	600	59.5	73.9	117	189	268	339	440	591	690	756	864	1032	1438	1606	1896	2009
KBM 625 P	625	61.9	77.0	122	197	279	353	458	615	719	788	900	1075	1498	1673	1975	2092
KBM 650 P	650	64.4	80.1	127	205	290	367	476	640	748	819	936	1118	1558	1740	2054	2176
KBM 675 P	675	66.9	83.1	132	213	301	381	495	665	777	851	972	1161	1618	1807	2133	2260
KBM 690 P	690	68.4	85.0	135	218	308	389	506	679	794	870	994	1187	1654	1847	2181	2310
KBM 723 P	723	71.7	89.1	141	228	323	408	530	712	832	911	1041	1243	1733	1936	2285	2420
KBM 740 P	740	73.3	91.2	144	233	330	418	542	729	851	933	1066	1273	1774	1981	2339	2477
KBM 770 P	770	76.3	94.9	150	243	344	434	564	758	886	970	1109	1324	1846	2061	2433	2578
KBM 790 P	790	78.3	97.3	154	249	353	446	579	778	909	996	1138	1359	1894	2115	2497	2645
KBM 805 P	805	79.8	99.2	157	254	359	454	590	793	926	1014	1159	1384	1930	2155	2544	2695
KBM 830 P	830	82.3	102	162	262	371	468	608	817	955	1046	1195	1427	1990	2222	2623	2779
KBM 865 P	865	85.7	107	169	273	386	488	634	852	995	1090	1246	1488	2074	2316	2734	2896
KBM 890 P	890	88.2	110	174	281	397	502	652	876	1024	1122	1282	1531	2134	2383	2813	2979
KBM 920 P	920	91.2	113	179	290	411	519	674	906	1059	1159	1325	1582	2206	2463	2907	3080
KBM 940 P	940	93.2	116	183	296	420	530	689	926	1082	1185	1354	1617	2254	2517	2971	3147
KBM 965 P	965	95.6	119	188	304	431	544	707	950	1110	1216	1390	1660	2313	2584	3050	3230
KBM 1000 P	1000	99.1	123	195	315	447	564	733	985	1151	1260	1440	1720	2397	2677	3160	3348
KBM 1040 P	1040	103	128	203	328	464	587	762	1024	1197	1311	1498	1789	2493	2784	3287	3482
KBM 1080 P	1080	107	133	211	340	482	609	792	1063	1243	1361	1555	1857	2589	2891	3413	3615
KBM 1100 P	1100	109	136	214	347	491	621	806	1083	1266	1386	1584	1892	2637	2945	3476	3682
KBM 1150 P	1150	114	142	224	363	513	649	843	1132	1323	1449	1656	1978	2757	3079	3634	3850
KBM 1180 P	1180	117	145	230	372	527	666	865	1162	1358	1487	1699	2029	2829	3159	3729	3950
KBM 1220 P	1220	121	150	238	385	545	688	894	1201	1404	1537	1757	2098	2925	3266	3855	4084
KBM 1270 P	1270	126	156	248	400	567	717	931	1251	1461	1601	1829	2184	3045	3400	4013	4251
KBM 1320 P	1320	131	163	257	416	589	745	967	1300	1519	1664	1901	2270	3165	3534	4171	4419
KBM 1390 P	1390	138	171	271	438	621	784	1019	1369	1599	1752	2001	2391	3332	3721	4393	4653
KBM 1445 P	1445	143	178	282	456	645	815	1059	1423	1663	1821	2081	2485	3464	3869	4566	4837
KBM 1460 P	1460	145	180	285	460	652	824	1070	1438	1680	1840	2102	2511	3500	3909	4614	4888

Performance data of KBMrange in Amperes

After fully charged with constant current charging at +20°C ±5°C (+68°F ± 9°F)

Final Cell Voltage: 1.05 V

Cell Type	C ₅ Ah	Hours							Minutes					Seconds			
		10	8	5	3	2	1.5	1	30	20	15	10	5	60	30	5	1
KBM 12 P	12	1.21	1.50	2.38	3.88	5.60	7.20	9.83	13.9	16.2	17.9	20.6	25.1	35.5	40.1	48.5	51.8
KBM 17 P	17	1.71	2.13	3.37	5.49	7.94	10.2	13.9	19.7	23.0	25.3	29.2	35.5	50.3	56.8	68.7	73.4
KBM 22 P	22	2.22	2.75	4.36	7.11	10.3	13.2	18.0	25.5	29.7	32.8	37.8	46.0	65.1	73.5	88.9	95.0
KBM 28 P	28	2.82	3.51	5.55	9.05	13.1	16.8	22.9	32.5	37.9	41.7	48.1	58.5	82.9	93.5	113	121
KBM 35 P	35	3.52	4.38	6.93	11.3	16.3	21.0	28.7	40.6	47.3	52.2	60.1	73.2	104	117	141	151
KBM 44 P	44	4.43	5.51	8.72	14.2	20.5	26.4	36.0	51.0	59.5	65.6	75.6	92.0	130	147	178	190
KBM 50 P	50	5.05	6.25	9.91	16.2	23.4	30.0	41.0	57.5	67.1	73.9	83.9	101	140	158	186	200
KBM 57 P	57	5.75	7.13	11.3	18.4	26.7	34.2	46.7	65.6	76.5	84.3	95.6	115	160	180	212	228
KBM 67 P	67	6.76	8.38	13.3	21.7	31.3	40.2	54.9	77.1	89.9	99.0	112	135	188	211	249	268
KBM 75 P	75	7.57	9.38	14.9	24.2	35.1	45.0	61.5	86.3	101	111	126	151	210	236	279	300
KBM 90 P	90	9.08	11.3	17.8	29.1	42.1	54.0	73.8	104	121	133	151	182	252	284	335	360
KBM 95 P	95	9.59	11.9	18.8	30.7	44.5	57.0	77.9	109	127	140	159	192	266	299	353	380
KBM 100 P	100	10.1	12.5	19.8	32.3	46.8	60.0	82.0	115	134	148	168	202	280	315	372	400
KBM 112 P	112	11.3	14.0	22.2	36.2	52.4	67.2	91.8	129	150	166	188	226	314	353	416	448
KBM 118 P	118	11.9	14.8	23.4	38.1	55.2	70.8	96.7	136	158	174	198	238	330	372	439	472
KBM 128 P	128	12.9	16.0	25.36	41.37	59.9	76.8	105	147	172	189	215	258	358	403	476	512
KBM 138 P	138	13.9	17.3	27.3	44.6	64.6	82.8	113	159	185	204	231	278	386	435	513	552
KBM 150 P	150	15.1	18.8	29.7	48.5	70.2	90.0	123	173	201	222	252	303	420	473	558	600
KBM 161 P	161	16.2	20.1	31.9	52.0	75.3	96.6	132	185	216	238	270	325	451	507	599	644
KBM 170 P	170	17.2	21.3	33.7	54.9	79.5	102	139	196	228	251	285	343	476	536	632	680
KBM 184 P	184	18.6	23.0	36.5	59.5	86.1	110	151	212	247	272	309	371	515	580	684	736
KBM 193 P	193	19.5	24.1	38.2	62.4	90.3	116	158	222	259	285	324	389	540	608	718	772
KBM 200 P	200	20.2	25.0	39.6	64.6	93.6	120	164	230	268	296	335	404	560	630	744	800
KBM 208 P	208	21.0	26.0	41.2	67.2	97.3	125	171	239	279	307	349	420	582	655	773	832
KBM 218 P	218	22.0	27.3	43.2	70.5	102	131	179	251	292	322	366	440	610	687	811	872
KBM 231 P	231	23.3	28.9	45.8	74.7	108	139	189	266	310	341	387	466	647	728	859	924
KBM 241 P	241	24.3	30.1	47.8	77.9	113	145	198	277	323	356	404	486	675	759	896	964
KBM 250 P	250	25.2	31.3	49.5	80.8	117	150	205	288	335	370	419	504	700	788	930	1000
KBM 260 P	260	26.2	32.5	51.5	84.0	122	156	213	299	349	384	436	525	728	819	967	1040
KBM 277 P	277	28.0	34.7	54.9	89.5	130	166	227	319	372	409	465	559	775	873	1030	1108
KBM 300 P	300	30.3	37.5	59.4	97.0	140	180	246	345	402	443	503	605	840	945	1116	1200
KBM 323 P	323	32.6	40.4	64.0	104	151	194	265	372	433	477	542	652	904	1018	1201	1292
KBM 346 P	346	34.9	43.3	68.6	112	162	208	284	398	464	511	580	698	969	1090	1287	1384
KBM 369 P	369	37.2	46.2	73.1	119	173	221	303	425	495	546	619	745	1033	1163	1372	1476
KBM 390 P	390	39.4	48.8	77.3	126	182	234	320	449	523	577	654	787	1092	1229	1450	1560
KBM 400 P	400	40.4	50.0	79.3	129	187	240	328	460	537	591	671	807	1120	1260	1487	1600
KBM 415 P	415	41.9	51.9	82.2	134	194	249	340	477	557	614	696	837	1162	1307	1543	1660
KBM 438 P	438	44.2	54.8	86.8	142	205	263	359	504	588	648	735	884	1226	1380	1629	1752
KBM 461 P	461	46.5	57.7	91.3	149	216	277	378	530	618	682	773	930	1291	1452	1714	1844
KBM 485 P	485	48.9	60.7	96.1	157	227	291	398	558	651	717	813	979	1358	1528	1803	1940

Performance data of KBM range in Amperes

After fully charged with constant current charging at +20°C ±5°C (+68°F ± 9°F)

Final Cell Voltage: 1.05 V

Cell Type	C ₅ Ah	Hours							Minutes					Seconds			
		10	8	5	3	2	1.5	1	30	20	15	10	5	60	30	5	1
KBM 505 P	505	51.0	63.2	100	163	236	303	414	581	677	747	847	1019	1414	1591	1878	2020
KBM 525 P	525	53.0	65.7	104	170	246	315	430	604	704	776	881	1059	1470	1654	1952	2100
KBM 555 P	555	56.0	69.4	110	179	260	333	455	639	745	820	931	1120	1554	1749	2064	2220
KBM 580 P	580	58.5	72.6	115	187	271	348	476	667	778	857	973	1170	1624	1827	2157	2320
KBM 600 P	600	60.5	75.1	119	194	281	360	492	690	805	887	1006	1211	1680	1890	2231	2400
KBM 625 P	625	63.1	78.2	124	202	292	375	512	719	838	924	1048	1261	1750	1969	2324	2500
KBM 650 P	650	65.6	81.3	129	210	304	390	533	748	872	961	1090	1312	1820	2048	2417	2600
KBM 675 P	675	68.1	84.4	134	218	316	405	553	777	906	998	1132	1362	1890	2127	2510	2700
KBM 690 P	690	69.6	86.3	137	223	323	414	566	794	926	1020	1157	1392	1932	2174	2566	2760
KBM 723 P	723	73.0	90.4	143	234	338	434	593	832	970	1069	1213	1459	2024	2278	2688	2892
KBM 740 P	740	74.7	92.6	147	239	346	444	607	851	993	1094	1241	1493	2072	2331	2752	2960
KBM 770 P	770	77.7	96.3	153	249	360	462	631	886	1033	1138	1291	1554	2156	2426	2863	3080
KBM 790 P	790	79.7	98.8	157	255	370	474	648	909	1060	1168	1325	1594	2212	2489	2938	3160
KBM 805 P	805	81.2	101	160	260	377	483	660	926	1080	1190	1350	1624	2254	2536	2993	3220
KBM 830 P	830	83.8	104	164	268	388	498	680	955	1113	1227	1392	1675	2324	2615	3086	3320
KBM 865 P	865	87.3	108	171	280	405	519	709	995	1160	1279	1451	1745	2422	2725	3216	3460
KBM 890 P	890	89.8	111	176	288	416	534	730	1024	1194	1316	1493	1796	2492	2804	3309	3560
KBM 920 P	920	92.8	115	182	297	430	552	754	1059	1234	1360	1543	1856	2576	2899	3421	3680
KBM 940 P	940	94.9	118	186	304	440	564	771	1082	1261	1390	1577	1897	2632	2962	3495	3760
KBM 965 P	965	97.4	121	191	312	452	579	791	1110	1295	1427	1619	1947	2702	3040	3588	3860
KBM 1000 P	1000	101	125	198	323	468	600	820	1151	1342	1478	1677	2018	2800	3151	3718	4000
KBM 1040 P	1040	105	130	206	336	487	624	853	1197	1395	1537	1744	2098	2912	3277	3867	4160
KBM 1080 P	1080	109	135	214	349	505	648	885	1243	1449	1597	1811	2179	3023	3403	4016	4320
KBM 1100 P	1100	111	138	218	355	515	660	902	1266	1476	1626	1845	2219	3079	3466	4090	4400
KBM 1150 P	1150	116	144	228	372	538	690	943	1323	1543	1700	1929	2320	3219	3623	4276	4600
KBM 1180 P	1180	119	148	234	381	552	708	967	1358	1583	1744	1979	2381	3303	3718	4388	4720
KBM 1220 P	1220	123	153	242	394	571	732	1000	1404	1637	1804	2046	2462	3415	3844	4536	4880
KBM 1270 P	1270	128	159	252	410	594	762	1041	1461	1704	1877	2130	2562	3555	4001	4722	5080
KBM 1320 P	1320	133	165	262	427	618	792	1082	1519	1771	1951	2214	2663	3695	4159	4908	5280
KBM 1390 P	1390	140	174	275	449	650	834	1140	1599	1865	2055	2331	2805	3891	4379	5169	5560
KBM 1445 P	1445	146	181	286	467	676	867	1185	1663	1938	2136	2424	2916	4045	4553	5373	5780
KBM 1460 P	1460	147	183	289	472	683	876	1197	1680	1959	2158	2449	2946	4087	4600	5429	5840

Performance data of KBM range in Amperes

After fully charged with constant current charging at +20°C ±5°C (+68°F ± 9°F)

Final Cell Voltage: 1.00 V

Cell Type	C ₅ Ah	Hours							Minutes					Seconds			
		10	8	5	3	2	1.5	1	30	20	15	10	5	60	30	5	1
KBM 12 P	12	1.22	1.51	2.40	3.93	5.75	7.44	10.3	15.6	18.3	20.3	23.3	28.4	40.1	46.7	55.5	59.2
KBM 17 P	17	1.73	2.14	3.40	5.56	8.14	10.5	14.6	22.1	25.9	28.7	33.0	40.3	56.8	66.1	78.6	83.8
KBM 22 P	22	2.23	2.77	4.40	7.20	10.5	13.6	18.9	28.6	33.5	37.2	42.6	52.1	73.5	85.6	102	108
KBM 28 P	28	2.84	3.53	5.60	9.16	13.4	17.4	24.1	36.4	42.6	47.3	54.3	66.3	93.5	109	129	138
KBM 35 P	35	3.55	4.41	7.00	11.4	16.8	21.7	30.1	45.5	53.2	59.2	67.8	82.9	117	136	162	173
KBM 44 P	44	4.47	5.55	8.80	14.4	21.1	27.3	37.8	57.2	66.9	74.4	85.3	104	147	171	203	217
KBM 50 P	50	5.09	6.30	10.0	16.4	23.9	31.0	43.0	64.6	75.5	83.5	95.7	115	161	181	216	228
KBM 57 P	57	5.80	7.18	11.4	18.7	27.2	35.3	49.0	73.6	86.0	95.2	109	132	183	206	246	260
KBM 67 P	67	6.82	8.44	13.4	21.9	32.0	41.5	57.6	86.5	101	112	128	155	216	242	289	306
KBM 75 P	75	7.64	9.45	15.0	24.5	35.9	46.5	64.5	96.9	113	125	144	173	241	271	324	342
KBM 90 P	90	9.16	11.3	18.0	29.4	43.0	55.8	77.4	116	136	150	172	208	290	325	388	410
KBM 95 P	95	9.67	12.0	19.0	31.1	45.4	58.9	81.7	123	143	159	182	219	306	343	410	433
KBM 100 P	100	10.2	12.6	20.0	32.7	47.8	62.0	86.0	129	151	167	191	231	322	362	432	456
KBM 112 P	112	11.4	14.1	22.4	36.6	53.5	69.4	96.3	145	169	187	214	259	360	405	483	511
KBM 118 P	118	12.0	14.9	23.6	38.6	56.4	73.2	101	152	178	197	226	273	380	427	509	538
KBM 128 P	128	13.0	16.1	25.60	41.88	61.2	79.4	110	165	193	214	245	296	412	463	552	584
KBM 138 P	138	14.1	17.4	27.6	45.2	66.0	85.6	119	178	208	231	264	319	444	499	595	629
KBM 150 P	150	15.3	18.9	30.0	49.1	71.7	93.0	129	194	226	251	287	346	483	542	647	684
KBM 161 P	161	16.4	20.3	32.2	52.7	77.0	99.8	138	208	243	269	308	372	518	582	695	734
KBM 170 P	170	17.3	21.4	34.0	55.6	81.3	105	146	220	257	284	325	393	547	615	734	775
KBM 184 P	184	18.7	23.2	36.8	60.2	88.0	114	158	238	278	307	352	425	592	665	794	839
KBM 193 P	193	19.7	24.3	38.6	63.1	92.3	120	166	249	291	322	369	446	621	698	833	880
KBM 200 P	200	20.4	25.2	40.0	65.4	95.6	124	172	258	302	334	383	462	643	723	863	912
KBM 208 P	208	21.2	26.2	41.6	68.1	99.4	129	179	269	314	347	398	480	669	752	898	948
KBM 218 P	218	22.2	27.5	43.6	71.3	104	135	187	282	329	364	417	504	701	788	941	994
KBM 231 P	231	23.5	29.1	46.2	75.6	110	143	199	298	349	386	442	534	743	835	997	1053
KBM 241 P	241	24.5	30.4	48.2	78.9	115	149	207	311	364	403	461	557	775	871	1040	1099
KBM 250 P	250	25.5	31.5	50.0	81.8	120	155	215	323	377	418	478	577	804	904	1079	1140
KBM 260 P	260	26.5	32.8	52.0	85.1	124	161	224	336	392	434	498	601	837	940	1122	1186
KBM 277 P	277	28.2	34.9	55.4	90.6	132	172	238	358	418	463	530	640	891	1001	1195	1263
KBM 300 P	300	30.5	37.8	60.0	98.2	143	186	258	388	453	501	574	693	965	1085	1295	1368
KBM 323 P	323	32.9	40.7	64.6	106	154	200	278	417	488	540	618	746	1039	1168	1394	1473
KBM 346 P	346	35.2	43.6	69.2	113	165	215	298	447	522	578	662	799	1113	1251	1493	1578
KBM 369 P	369	37.6	46.5	73.8	121	176	229	317	477	557	616	706	852	1187	1334	1592	1683
KBM 390 P	390	39.7	49.1	78.0	128	186	242	335	504	589	651	746	901	1255	1410	1683	1778
KBM 400 P	400	40.7	50.4	80.0	131	191	248	344	517	604	668	765	924	1287	1446	1726	1824
KBM 415 P	415	42.3	52.3	83.0	136	198	257	357	536	626	693	794	959	1335	1500	1791	1892
KBM 438 P	438	44.6	55.2	87.6	143	209	272	377	566	661	732	838	1012	1409	1584	1890	1997
KBM 461 P	461	46.9	58.1	92.2	151	220	286	396	595	696	770	882	1065	1483	1667	1989	2102
KBM 485 P	485	49.4	61.1	97.0	159	232	301	417	627	732	810	928	1120	1560	1753	2093	2212

Performance data of KBM range in Amperes

After fully charged with constant current charging at +20°C ±5°C (+68°F ± 9°F)

Final Cell Voltage: 1.00 V

Cell Type	C ₅ Ah	Hours							Minutes					Seconds			
		10	8	5	3	2	1.5	1	30	20	15	10	5	60	30	5	1
KBM 505 P	505	51.4	63.6	101	165	241	313	434	652	762	844	966	1166	1625	1826	2179	2303
KBM 525 P	525	53.5	66.2	105	172	251	326	451	678	792	877	1005	1213	1689	1898	2265	2394
KBM 555 P	555	56.5	69.9	111	182	265	344	477	717	838	927	1062	1282	1786	2007	2395	2531
KBM 580 P	580	59.1	73.1	116	190	277	360	499	749	875	969	1110	1340	1866	2097	2503	2645
KBM 600 P	600	61.1	75.6	120	196	287	372	516	775	906	1002	1148	1386	1930	2169	2589	2736
KBM 625 P	625	63.6	78.8	125	204	299	388	537	807	943	1044	1196	1444	2011	2260	2697	2850
KBM 650 P	650	66.2	81.9	130	213	311	403	559	840	981	1086	1244	1501	2091	2350	2805	2964
KBM 675 P	675	68.7	85.1	135	221	323	419	580	872	1019	1128	1292	1559	2172	2440	2913	3078
KBM 690 P	690	70.3	87.0	138	226	330	428	593	891	1042	1153	1320	1594	2220	2495	2977	3146
KBM 723 P	723	73.6	91.1	145	237	346	448	622	934	1091	1208	1384	1670	2326	2614	3120	3297
KBM 740 P	740	75.4	93.3	148	242	354	459	636	956	1117	1236	1416	1709	2381	2675	3193	3374
KBM 770 P	770	78.4	97.0	154	252	368	477	662	995	1162	1286	1473	1779	2477	2784	3323	3511
KBM 790 P	790	80.4	99.6	158	258	378	490	679	1020	1192	1320	1512	1825	2542	2856	3409	3602
KBM 805 P	805	82.0	101	161	263	385	499	692	1040	1215	1345	1540	1859	2590	2910	3474	3671
KBM 830 P	830	84.5	105	166	272	397	515	714	1072	1253	1386	1588	1917	2671	3001	3582	3785
KBM 865 P	865	88.1	109	173	283	413	536	744	1117	1306	1445	1655	1998	2783	3127	3733	3944
KBM 890 P	890	90.6	112	178	291	425	552	765	1150	1343	1487	1703	2056	2864	3218	3840	4058
KBM 920 P	920	93.7	116	184	301	440	570	791	1188	1389	1537	1760	2125	2960	3326	3970	4195
KBM 940 P	940	95.7	118	188	308	449	583	808	1214	1419	1570	1799	2171	3024	3398	4056	4286
KBM 965 P	965	98.3	122	193	316	461	598	830	1247	1457	1612	1847	2229	3105	3489	4164	4400
KBM 1000 P	1000	101.8	126	200	327	478	620	860	1292	1509	1670	1914	2310	3217	3615	4315	4560
KBM 1040 P	1040	106	131	208	340	497	645	894	1343	1570	1737	1990	2402	3346	3760	4488	4742
KBM 1080 P	1080	110	136	216	353	516	670	929	1395	1630	1804	2067	2495	3475	3905	4660	4925
KBM 1100 P	1100	112	139	220	360	526	682	946	1421	1660	1837	2105	2541	3539	3977	4747	5016
KBM 1150 P	1150	117	145	230	376	550	713	989	1486	1736	1921	2201	2656	3700	4158	4962	5244
KBM 1180 P	1180	120	149	236	386	564	732	1015	1524	1781	1971	2258	2726	3797	4266	5092	5381
KBM 1220 P	1220	124	154	244	399	583	756	1049	1576	1842	2038	2335	2818	3925	4411	5264	5563
KBM 1270 P	1270	129	160	254	416	607	787	1092	1641	1917	2121	2430	2933	4086	4592	5480	5791
KBM 1320 P	1320	134	166	264	432	631	818	1135	1705	1992	2205	2526	3049	4247	4772	5696	6019
KBM 1390 P	1390	142	175	278	455	664	862	1195	1796	2098	2322	2660	3211	4472	5025	5998	6339
KBM 1445 P	1445	147	182	289	473	691	896	1242	1867	2181	2414	2765	3338	4649	5224	6235	6589
KBM 1460 P	1460	149	184	292	478	698	905	1255	1886	2204	2439	2794	3372	4698	5278	6300	6658

Performance data of KBM range in Amperes

After long term float charge of fully charged cells at +20°C ±5°C (+68°F ± 9°F)

Final Cell Voltage: 1.14 V

Cell Type	C ₅ Ah	Hours							Minutes					Seconds			
		10	8	5	3	2	1.5	1	30	20	15	10	5	60	30	5	1
KBM 12 P	12	1.16	1.44	2.26	3.46	4.47	5.16	5.83	7.20	8.16	8.84	9.95	12.5	17.6	19.8	23.0	23.8
KBM 17 P	17	1.64	2.04	3.20	4.91	6.34	7.31	8.26	10.2	11.6	12.5	14.1	17.7	24.9	28.0	32.6	33.7
KBM 22 P	22	2.13	2.64	4.14	6.35	8.20	9.46	10.7	13.2	15.0	16.2	18.2	22.9	32.3	36.2	42.2	43.6
KBM 28 P	28	2.71	3.36	5.27	8.08	10.4	12.0	13.6	16.8	19.0	20.6	23.2	29.1	41.1	46.1	53.7	55.5
KBM 35 P	35	3.38	4.20	6.58	10.1	13.0	15.0	17.0	21.0	23.8	25.8	29.0	36.4	51.3	57.6	67.1	69.4
KBM 44 P	44	4.26	5.28	8.28	12.7	16.4	18.9	21.4	26.4	29.9	32.4	36.5	45.7	64.5	72.4	84.3	87.2
KBM 50 P	50	4.84	6.00	9.42	14.5	19.0	22.1	25.5	31.5	35.4	38.1	42.9	53.6	74.9	83.0	95.9	98.8
KBM 57 P	57	5.51	6.84	10.7	16.5	21.6	25.2	29.1	35.9	40.4	43.4	48.9	61.1	85.3	94.6	109	113
KBM 67 P	67	6.48	8.04	12.6	19.4	25.4	29.7	34.2	42.2	47.5	51.1	57.5	71.8	100	111	129	132
KBM 75 P	75	7.25	9.00	14.1	21.7	28.4	33.2	38.3	47.3	53.1	57.2	64.4	80.4	112	124	144	148
KBM 90 P	90	8.70	10.8	17.0	26.1	34.1	39.8	45.9	56.7	63.8	68.6	77.3	96.4	135	149	173	178
KBM 95 P	95	9.19	11.4	17.9	27.5	36.0	42.1	48.5	59.9	67.3	72.4	81.5	102	142	158	182	188
KBM 100 P	100	9.67	12.0	18.8	29.0	37.9	44.3	51.0	63.0	70.9	76.2	85.8	107	150	166	192	198
KBM 112 P	112	10.8	13.4	21.1	32.4	42.4	49.6	57.2	70.6	79.4	85.4	96.1	120	168	186	215	221
KBM 118 P	118	11.4	14.2	22.2	34.2	44.7	52.2	60.2	74.3	83.6	89.9	101	126	177	196	226	233
KBM 128 P	128	12.4	15.4	24.11	37.06	48.5	56.7	65.3	80.6	90.7	97.6	110	137	192	212	246	253
KBM 138 P	138	13.3	16.6	26.0	40.0	52.3	61.1	70.4	86.9	97.8	105	118	148	207	229	265	273
KBM 150 P	150	14.5	18.0	28.3	43.4	56.9	66.4	76.6	94.5	106	114	129	161	225	249	288	297
KBM 161 P	161	15.6	19.3	30.3	46.6	61.0	71.3	82.2	101	114	123	138	172	241	267	309	318
KBM 170 P	170	16.4	20.4	32.0	49.2	64.4	75.3	86.8	107	120	130	146	182	255	282	326	336
KBM 184 P	184	17.8	22.1	34.7	53.3	69.7	81.5	93.9	116	130	140	158	197	276	305	353	364
KBM 193 P	193	18.7	23.2	36.4	55.9	73.1	85.4	98.5	122	137	147	166	207	289	320	370	382
KBM 200 P	200	19.3	24.0	37.7	57.9	75.8	88.5	102	126	142	152	172	214	299	332	384	395
KBM 208 P	208	20.1	25.0	39.2	60.2	78.8	92.1	106	131	147	159	179	223	311	345	399	411
KBM 218 P	218	21.1	26.2	41.1	63.1	82.6	96.5	111	137	154	166	187	234	326	362	418	431
KBM 231 P	231	22.3	27.7	43.5	66.9	87.5	102	118	146	164	176	198	247	346	383	443	457
KBM 241 P	241	23.3	28.9	45.4	69.8	91.3	107	123	152	171	184	207	258	361	400	462	476
KBM 250 P	250	24.2	30.0	47.1	72.4	94.8	111	128	158	177	191	215	268	374	415	480	494
KBM 260 P	260	25.1	31.2	49.0	75.3	98.5	115	133	164	184	198	223	279	389	431	499	514
KBM 277 P	277	26.8	33.2	52.2	80.2	105	123	141	175	196	211	238	297	415	460	531	548
KBM 300 P	300	29.0	36.0	56.5	86.9	114	133	153	189	213	229	258	321	449	498	575	593
KBM 323 P	323	31.2	38.8	60.8	93.5	122	143	165	204	229	246	277	346	484	536	620	639
KBM 346 P	346	33.5	41.5	65.2	100	131	153	177	218	245	264	297	371	518	574	664	684
KBM 369 P	369	35.7	44.3	69.5	107	140	163	188	232	261	281	317	395	553	612	708	729
KBM 390 P	390	37.7	46.8	73.5	113	148	173	199	246	276	297	335	418	584	647	748	771
KBM 400 P	400	38.7	48.0	75.4	116	152	177	204	252	283	305	343	429	599	664	767	791
KBM 415 P	415	40.1	49.8	78.2	120	157	184	212	261	294	316	356	445	621	689	796	820
KBM 438 P	438	42.4	52.6	82.5	127	166	194	224	276	310	334	376	469	656	727	840	866
KBM 461 P	461	44.6	55.3	86.8	133	175	204	235	290	327	351	396	494	690	765	884	911
KBM 485 P	485	46.9	58.2	91.4	140	184	215	248	306	344	370	416	520	726	805	930	959

Performance data of KBM range in Amperes

After long term float charge of fully charged cells at +20°C ±5°C (+68°F ± 9°F)

Final Cell Voltage: 1.14 V

Cell Type	C ₅ Ah	Hours							Minutes					Seconds			
		10	8	5	3	2	1.5	1	30	20	15	10	5	60	30	5	1
KBM 505 P	505	48.8	60.6	95.1	146	191	224	258	318	358	385	433	541	756	838	969	998
KBM 525 P	525	50.8	63.0	98.9	152	199	232	268	331	372	400	451	562	786	871	1007	1038
KBM 555 P	555	53.7	66.6	105	161	210	246	283	350	393	423	476	595	831	921	1065	1097
KBM 580 P	580	56.1	69.6	109	168	220	257	296	365	411	442	498	621	868	962	1113	1147
KBM 600 P	600	58.0	72.0	113	174	227	266	306	378	425	457	515	643	898	995	1151	1186
KBM 625 P	625	60.4	75.0	118	181	237	277	319	394	443	476	536	670	936	1037	1199	1236
KBM 650 P	650	62.9	78.0	122	188	246	288	332	410	461	495	558	696	973	1078	1247	1285
KBM 675 P	675	65.3	81.0	127	195	256	299	345	425	478	514	579	723	1011	1120	1295	1334
KBM 690 P	690	66.7	82.8	130	200	262	305	352	435	489	526	592	739	1033	1145	1324	1364
KBM 723 P	723	69.9	86.8	136	209	274	320	369	456	512	551	621	775	1083	1199	1387	1429
KBM 740 P	740	71.6	88.8	139	214	280	328	378	466	524	564	635	793	1108	1228	1419	1463
KBM 770 P	770	74.5	92.4	145	223	292	341	393	485	546	587	661	825	1153	1277	1477	1522
KBM 790 P	790	76.4	94.8	149	229	299	350	403	498	560	602	678	846	1183	1311	1515	1562
KBM 805 P	805	77.9	96.6	152	233	305	356	411	507	570	614	691	862	1205	1336	1544	1591
KBM 830 P	830	80.3	99.6	156	240	315	367	424	523	588	633	712	889	1243	1377	1592	1641
KBM 865 P	865	83.7	104	163	250	328	383	441	545	613	659	742	927	1295	1435	1659	1710
KBM 890 P	890	86.1	107	168	258	337	394	454	561	631	678	764	954	1333	1477	1707	1759
KBM 920 P	920	89.0	110	173	266	349	407	470	580	652	701	790	986	1378	1526	1765	1819
KBM 940 P	940	90.9	113	177	272	356	416	480	592	666	716	807	1007	1407	1560	1803	1858
KBM 965 P	965	93.3	116	182	279	366	427	493	608	684	736	828	1034	1445	1601	1851	1908
KBM 1000 P	1000	96.7	120	188	290	379	443	510	630	709	762	858	1071	1497	1659	1918	1977
KBM 1040 P	1040	101	125	196	301	394	460	531	655	737	793	893	1114	1557	1725	1995	2056
KBM 1080 P	1080	104	130	203	313	409	478	551	680	765	823	927	1157	1617	1792	2072	2135
KBM 1100 P	1100	106	132	207	318	417	487	561	693	779	838	944	1179	1647	1825	2110	2175
KBM 1150 P	1150	111	138	217	333	436	509	587	725	815	877	987	1232	1722	1908	2206	2273
KBM 1180 P	1180	114	142	222	342	447	522	602	743	836	899	1013	1264	1767	1958	2263	2333
KBM 1220 P	1220	118	146	230	353	462	540	623	769	864	930	1047	1307	1827	2024	2340	2412
KBM 1270 P	1270	123	152	239	368	481	562	648	800	900	968	1090	1361	1902	2107	2436	2511
KBM 1320 P	1320	128	158	249	382	500	584	674	832	935	1006	1133	1414	1976	2190	2532	2609
KBM 1390 P	1390	134	167	262	402	527	615	709	876	985	1059	1193	1489	2081	2306	2666	2748
KBM 1445 P	1445	140	173	272	418	548	640	738	910	1024	1101	1240	1548	2164	2397	2772	2857
KBM 1460 P	1460	141	175	275	423	553	646	745	920	1034	1113	1253	1564	2186	2422	2801	2886

Performance data of KBM range in Amperes

After long term float charge of fully charged cells at +20°C ±5°C (+68°F ± 9°F)

Final Cell Voltage: 1.10 V

Cell Type	C ₅ Ah	Hours							Minutes					Seconds			
		10	8	5	3	2	1.5	1	30	20	15	10	5	60	30	5	1
KBM 12 P	12	1.19	1.48	2.34	3.74	5.10	6.10	7.30	9.03	10.7	11.2	12.9	15.7	22.7	25.7	30.9	32.9
KBM 17 P	17	1.69	2.10	3.32	5.30	7.22	8.64	10.3	12.8	15.2	15.9	18.3	22.2	32.2	36.4	43.8	46.6
KBM 22 P	22	2.19	2.71	4.29	6.86	9.35	11.2	13.4	16.5	19.7	20.6	23.6	28.8	41.6	47.0	56.7	60.3
KBM 28 P	28	2.78	3.45	5.47	8.73	11.9	14.2	17.0	21.1	25.0	26.2	30.1	36.6	53.0	59.9	72.1	76.8
KBM 35 P	35	3.48	4.32	6.83	10.9	14.9	17.8	21.3	26.3	31.3	32.7	37.6	45.8	66.2	74.8	90.2	96.0
KBM 44 P	44	4.37	5.42	8.59	13.7	18.7	22.4	26.8	33.1	39.3	41.2	47.3	57.6	83.2	94.1	113	121
KBM 50 P	50	4.96	6.16	9.75	15.8	21.5	25.9	31.9	39.2	46.8	48.6	55.5	66.6	92.8	104	122	130
KBM 57 P	57	5.65	7.02	11.1	18.0	24.5	29.6	36.4	44.7	53.3	55.5	63.3	75.9	106	118	139	148
KBM 67 P	67	6.64	8.25	13.1	21.1	28.8	34.8	42.7	52.6	62.7	65.2	74.4	89.2	124	139	164	174
KBM 75 P	75	7.43	9.24	14.6	23.6	32.2	38.9	47.8	58.9	70.2	73.0	83.3	100	139	155	183	195
KBM 90 P	90	8.92	11.1	17.5	28.4	38.6	46.7	57.4	70.6	84.2	87.6	100	120	167	186	220	234
KBM 95 P	95	9.42	11.7	18.5	29.9	40.8	49.3	60.6	74.6	88.9	92.4	106	127	176	197	232	246
KBM 100 P	100	9.91	12.3	19.5	31.5	42.9	51.9	63.8	78.5	93.6	97.3	111	133	186	207	244	259
KBM 112 P	112	11.1	13.8	21.8	35.3	48.1	58.1	71.4	87.9	105	109	124	149	208	232	274	291
KBM 118 P	118	11.7	14.5	23.0	37.2	50.7	61.2	75.3	92.6	110	115	131	157	219	244	288	306
KBM 128 P	128	12.7	15.8	24.96	40.32	55.0	66.4	81.6	100	120	125	142	170	238	265	313	332
KBM 138 P	138	13.7	17.0	26.9	43.5	59.3	71.6	88.0	108	129	134	153	184	256	286	337	358
KBM 150 P	150	14.9	18.5	29.2	47.3	64.4	77.8	95.7	118	140	146	167	200	278	311	366	389
KBM 161 P	161	16.0	19.8	31.4	50.7	69.1	83.6	103	126	151	157	179	214	299	333	393	418
KBM 170 P	170	16.8	20.9	33.1	53.6	73.0	88.2	108	133	159	165	189	226	316	352	415	441
KBM 184 P	184	18.2	22.7	35.9	58.0	79.0	95.5	117	144	172	179	204	245	342	381	449	477
KBM 193 P	193	19.1	23.8	37.6	60.8	82.9	100	123	151	181	188	214	257	358	400	471	501
KBM 200 P	200	19.8	24.6	39.0	63.0	85.9	104	128	157	187	195	222	266	371	414	489	519
KBM 208 P	208	20.6	25.6	40.6	65.5	89.3	108	133	163	195	202	231	277	386	431	508	540
KBM 218 P	218	21.6	26.9	42.5	68.7	93.6	113	139	171	204	212	242	290	405	451	533	566
KBM 231 P	231	22.9	28.5	45.0	72.8	99.2	120	147	181	216	225	257	308	429	478	564	599
KBM 241 P	241	23.9	29.7	47.0	75.9	103	125	154	189	226	234	268	321	447	499	589	625
KBM 250 P	250	24.8	30.8	48.7	78.8	107	130	159	196	234	243	278	333	464	518	611	649
KBM 260 P	260	25.8	32.0	50.7	81.9	112	135	166	204	243	253	289	346	483	538	635	675
KBM 277 P	277	27.5	34.1	54.0	87.3	119	144	177	217	259	269	308	369	514	574	677	719
KBM 300 P	300	29.7	37.0	58.5	94.5	129	156	191	235	281	292	333	400	557	621	733	778
KBM 323 P	323	32.0	39.8	63.0	102	139	168	206	254	302	314	359	430	600	669	789	838
KBM 346 P	346	34.3	42.6	67.5	109	149	180	221	272	324	337	384	461	642	716	845	898
KBM 369 P	369	36.6	45.5	72.0	116	158	192	235	290	345	359	410	491	685	764	901	957
KBM 390 P	390	38.7	48.0	76.0	123	167	202	249	306	365	379	433	519	724	807	953	1012
KBM 400 P	400	39.6	49.3	78.0	126	172	208	255	314	374	389	444	533	743	828	977	1038
KBM 415 P	415	41.1	51.1	80.9	131	178	215	265	326	388	404	461	553	770	859	1014	1077
KBM 438 P	438	43.4	54.0	85.4	138	188	227	279	344	410	426	487	583	813	907	1070	1136
KBM 461 P	461	45.7	56.8	89.9	145	198	239	294	362	431	449	512	614	856	954	1126	1196
KBM 485 P	485	48.1	59.7	94.6	153	208	252	309	381	454	472	539	646	900	1004	1185	1258

Performance data of KBM range in Amperes

After long term float charge of fully charged cells at +20°C ±5°C (+68°F ± 9°F)

Final Cell Voltage: 1.10 V

Cell Type	C ₅ Ah	Hours							Minutes					Seconds			
		10	8	5	3	2	1.5	1	30	20	15	10	5	60	30	5	1
KBM 505 P	505	50.0	62.2	98.5	159	217	262	322	396	473	491	561	673	937	1046	1234	1310
KBM 525 P	525	52.0	64.7	102	165	225	272	335	412	491	511	583	699	975	1087	1283	1362
KBM 555 P	555	55.0	68.4	108	175	238	288	354	436	519	540	616	739	1030	1149	1356	1440
KBM 580 P	580	57.5	71.4	113	183	249	301	370	455	543	564	644	772	1077	1201	1417	1505
KBM 600 P	600	59.5	73.9	117	189	258	311	383	471	562	584	666	799	1114	1242	1466	1557
KBM 625 P	625	61.9	77.0	122	197	268	324	399	491	585	608	694	832	1160	1294	1527	1622
KBM 650 P	650	64.4	80.1	127	205	279	337	415	510	608	632	722	866	1207	1346	1588	1687
KBM 675 P	675	66.9	83.1	132	213	290	350	431	530	632	657	750	899	1253	1398	1649	1751
KBM 690 P	690	68.4	85.0	135	217	296	358	440	542	646	671	766	919	1281	1429	1686	1790
KBM 723 P	723	71.7	89.1	141	228	310	375	461	567	677	703	803	963	1342	1497	1766	1876
KBM 740 P	740	73.3	91.2	144	233	318	384	472	581	693	720	822	986	1374	1532	1808	1920
KBM 770 P	770	76.3	94.9	150	243	331	400	491	604	721	749	855	1026	1429	1594	1881	1998
KBM 790 P	790	78.3	97.3	154	249	339	410	504	620	739	769	877	1052	1467	1636	1930	2050
KBM 805 P	805	79.8	99.2	157	254	346	418	513	632	753	783	894	1072	1494	1667	1967	2089
KBM 830 P	830	82.3	102	162	261	356	431	529	651	777	808	922	1105	1541	1718	2028	2154
KBM 865 P	865	85.7	107	169	273	371	449	552	679	810	842	961	1152	1606	1791	2113	2244
KBM 890 P	890	88.2	110	174	280	382	462	568	699	833	866	989	1185	1652	1843	2174	2309
KBM 920 P	920	91.2	113	179	290	395	477	587	722	861	895	1022	1225	1708	1905	2247	2387
KBM 940 P	940	93.2	116	183	296	404	488	600	738	880	915	1044	1252	1745	1946	2296	2439
KBM 965 P	965	95.6	119	188	304	414	501	615	757	903	939	1072	1285	1791	1998	2357	2504
KBM 1000 P	1000	99.1	123	195	315	429	519	638	785	936	973	1111	1332	1856	2070	2443	2595
KBM 1040 P	1040	103	128	203	328	447	540	663	816	973	1012	1155	1385	1931	2153	2541	2698
KBM 1080 P	1080	107	133	211	340	464	560	689	848	1011	1051	1200	1438	2005	2236	2638	2802
KBM 1100 P	1100	109	136	214	347	472	571	702	863	1030	1070	1222	1465	2042	2277	2687	2854
KBM 1150 P	1150	114	142	224	362	494	597	733	903	1076	1119	1277	1532	2135	2381	2809	2984
KBM 1180 P	1180	117	145	230	372	507	612	753	926	1104	1148	1311	1572	2191	2443	2883	3062
KBM 1220 P	1220	121	150	238	384	524	633	778	958	1142	1187	1355	1625	2265	2526	2980	3166
KBM 1270 P	1270	126	156	248	400	545	659	810	997	1189	1236	1411	1691	2358	2629	3102	3295
KBM 1320 P	1320	131	163	257	416	567	685	842	1036	1235	1284	1466	1758	2450	2733	3225	3425
KBM 1390 P	1390	138	171	271	438	597	721	887	1091	1301	1352	1544	1851	2580	2878	3396	3607
KBM 1445 P	1445	143	178	282	455	620	750	922	1134	1352	1406	1605	1925	2682	2992	3530	3749
KBM 1460 P	1460	145	180	285	460	627	758	931	1146	1366	1420	1622	1944	2710	3023	3567	3788

Performance data of KBM range in Amperes

After long term float charge of fully charged cells at +20°C ±5°C (+68°F ± 9°F)

Final Cell Voltage: 1.05 V

Cell type	C ₅ Ah	Hours							Minutes					Seconds			
		10	8	5	3	2	1.5	1	30	20	15	10	5	60	30	5	1
KBM 12 P	12	1.21	1.50	2.38	3.86	5.60	6.91	8.78	11.1	13.0	14.2	15.6	18.4	26.8	30.6	36.9	39.9
KBM 17 P	17	1.71	2.13	3.37	5.47	7.94	9.78	12.4	15.7	18.4	20.1	22.1	26.1	37.9	43.4	52.3	56.6
KBM 22 P	22	2.22	2.75	4.36	7.08	10.3	12.7	16.1	20.4	23.8	26.0	28.7	33.8	49.1	56.1	67.7	73.2
KBM 28 P	28	2.82	3.51	5.55	9.01	13.1	16.1	20.5	25.9	30.3	33.1	36.5	43.0	62.5	71.4	86.2	93.2
KBM 35 P	35	3.52	4.38	6.93	11.3	16.3	20.1	25.6	32.4	37.8	41.3	45.6	53.8	78.1	89.3	108	116
KBM 44 P	44	4.43	5.51	8.72	14.2	20.5	25.3	32.2	40.8	47.5	52.0	57.3	67.6	98.2	112	135	146
KBM 50 P	50	5.05	6.25	9.91	16.2	23.4	29.2	37.9	48.9	57.0	62.1	67.9	78.6	110	124	146	157
KBM 57 P	57	5.75	7.13	11.3	18.4	26.7	33.3	43.2	55.7	64.9	70.8	77.4	89.6	125	141	166	179
KBM 67 P	67	6.76	8.38	13.3	21.7	31.3	39.1	50.8	65.5	76.3	83.2	90.9	105	147	166	195	210
KBM 75 P	75	7.57	9.38	14.9	24.2	35.1	43.8	56.9	73.3	85.4	93.1	102	118	165	186	219	235
KBM 90 P	90	9.08	11.3	17.8	29.1	42.1	52.5	68.3	87.9	103	112	122	142	198	223	262	283
KBM 95 P	95	9.59	11.9	18.8	30.7	44.5	55.4	72.0	92.8	108	118	129	149	209	235	277	298
KBM 100 P	100	10.1	12.5	19.8	32.3	46.8	58.4	75.8	97.7	114	124	136	157	220	247	292	314
KBM 112 P	112	11.3	14.0	22.2	36.2	52.4	65.4	84.9	109	128	139	152	176	246	277	327	352
KBM 118 P	118	11.9	14.8	23.4	38.1	55.2	68.9	89.5	115	134	147	160	186	260	292	344	371
KBM 128 P	128	12.9	16.0	25.36	41.37	59.9	74.7	97.1	125	146	159	174	201	282	317	373	402
KBM 138 P	138	13.9	17.3	27.3	44.6	64.6	80.5	105	135	157	171	187	217	304	341	402	433
KBM 150 P	150	15.1	18.8	29.7	48.5	70.2	87.5	114	147	171	186	204	236	330	371	437	471
KBM 161 P	161	16.2	20.1	31.9	52.0	75.3	94.0	122	157	183	200	218	253	354	398	469	506
KBM 170 P	170	17.2	21.3	33.7	54.9	79.5	99.2	129	166	194	211	231	267	374	421	496	534
KBM 184 P	184	18.6	23.0	36.5	59.5	86.1	107	140	180	210	228	250	289	405	455	536	578
KBM 193 P	193	19.5	24.1	38.2	62.4	90.3	113	146	189	220	240	262	304	425	477	563	606
KBM 200 P	200	20.2	25.0	39.6	64.6	93.6	117	152	195	228	248	271	315	440	495	583	628
KBM 208 P	208	21.0	26.0	41.2	67.2	97.3	121	158	203	237	258	282	327	458	515	606	653
KBM 218 P	218	22.0	27.3	43.2	70.5	102	127	165	213	248	271	296	343	480	539	636	684
KBM 231 P	231	23.3	28.9	45.8	74.7	108	135	175	226	263	287	313	363	508	571	673	725
KBM 241 P	241	24.3	30.1	47.8	77.9	113	141	183	235	275	299	327	379	530	596	703	757
KBM 250 P	250	25.2	31.3	49.5	80.8	117	146	190	244	285	310	339	393	550	618	729	785
KBM 260 P	260	26.2	32.5	51.5	84.0	122	152	197	254	296	323	353	409	572	643	758	816
KBM 277 P	277	28.0	34.7	54.9	89.5	130	162	210	271	316	344	376	436	610	685	808	870
KBM 300 P	300	30.3	37.5	59.4	97.0	140	175	228	293	342	372	407	472	660	742	875	942
KBM 323 P	323	32.6	40.4	64.0	104	151	188	245	316	368	401	438	508	711	799	942	1014
KBM 346 P	346	34.9	43.3	68.6	112	162	202	262	338	394	430	470	544	761	856	1009	1086
KBM 369 P	369	37.2	46.2	73.1	119	173	215	280	361	420	458	501	580	812	913	1076	1159
KBM 390 P	390	39.4	48.8	77.3	126	182	228	296	381	444	484	529	613	858	965	1137	1225
KBM 400 P	400	40.4	50.0	79.3	129	187	233	303	391	456	497	543	629	880	990	1166	1256
KBM 415 P	415	41.9	51.9	82.2	134	194	242	315	406	473	515	563	653	913	1027	1210	1303
KBM 438 P	438	44.2	54.8	86.8	142	205	256	332	428	499	544	594	689	964	1084	1277	1375
KBM 461 P	461	46.5	57.7	91.3	149	216	269	350	450	525	572	626	725	1014	1140	1344	1447
KBM 485 P	485	48.9	60.7	96.1	157	227	283	368	474	553	602	658	763	1067	1200	1414	1523

Performance data of KBM range in Amperes

After long term float charge of fully charged cells at +20°C ±5°C (+68°F ± 9°F)

Final Cell Voltage: 1.05 V

Cell Type	C ₅ Ah	Hours							Minutes					Seconds			
		10	8	5	3	2	1.5	1	30	20	15	10	5	60	30	5	1
KBM 505 P	505	51.0	63.2	100	163	236	295	383	493	575	627	685	794	1111	1249	1472	1586
KBM 525 P	525	53.0	65.7	104	170	246	306	398	513	598	652	712	826	1155	1299	1531	1648
KBM 555 P	555	56.0	69.4	110	179	260	324	421	542	632	689	753	873	1221	1373	1618	1743
KBM 580 P	580	58.5	72.6	115	187	271	338	440	567	661	720	787	912	1276	1435	1691	1821
KBM 600 P	600	60.5	75.1	119	194	281	350	455	586	684	745	814	944	1320	1484	1749	1884
KBM 625 P	625	63.1	78.2	124	202	292	365	474	611	712	776	848	983	1375	1546	1822	1962
KBM 650 P	650	65.6	81.3	129	210	304	379	493	635	741	807	882	1022	1430	1608	1895	2041
KBM 675 P	675	68.1	84.4	134	218	316	394	512	660	769	838	916	1061	1485	1670	1968	2119
KBM 690 P	690	69.6	86.3	137	223	323	403	523	674	786	857	936	1085	1518	1707	2012	2167
KBM 723 P	723	73.0	90.4	143	234	338	422	548	706	824	898	981	1137	1591	1789	2108	2270
KBM 740 P	740	74.7	92.6	147	239	346	432	561	723	843	919	1004	1164	1628	1831	2157	2324
KBM 770 P	770	77.7	96.3	153	249	360	449	584	752	877	956	1045	1211	1694	1905	2245	2418
KBM 790 P	790	79.7	98.8	157	255	370	461	599	772	900	981	1072	1242	1738	1954	2303	2480
KBM 805 P	805	81.2	101	160	260	377	470	610	787	917	999	1092	1266	1771	1991	2347	2528
KBM 830 P	830	83.8	104	164	268	388	484	629	811	946	1031	1126	1305	1826	2053	2420	2606
KBM 865 P	865	87.3	108	171	280	405	505	656	845	985	1074	1174	1360	1903	2140	2522	2716
KBM 890 P	890	89.8	111	176	288	416	519	675	870	1014	1105	1208	1400	1958	2202	2595	2794
KBM 920 P	920	92.8	115	182	297	430	537	698	899	1048	1142	1249	1447	2024	2276	2682	2889
KBM 940 P	940	94.9	118	186	304	440	549	713	919	1071	1167	1276	1478	2068	2325	2740	2951
KBM 965 P	965	97.4	121	191	312	452	563	732	943	1099	1198	1310	1518	2123	2387	2813	3030
KBM 1000 P	1000	101	125	198	323	468	584	758	977	1139	1242	1357	1573	2200	2474	2915	3140
KBM 1040 P	1040	105	130	206	336	487	607	789	1016	1185	1291	1411	1635	2288	2573	3032	3265
KBM 1080 P	1080	109	135	214	349	505	630	819	1055	1230	1341	1466	1698	2377	2672	3148	3391
KBM 1100 P	1100	111	138	218	355	515	642	834	1075	1253	1366	1493	1730	2421	2721	3207	3454
KBM 1150 P	1150	116	144	228	372	538	671	872	1124	1310	1428	1561	1808	2531	2845	3353	3611
KBM 1180 P	1180	119	148	234	381	552	689	895	1153	1344	1465	1601	1856	2597	2919	3440	3705
KBM 1220 P	1220	123	153	242	394	571	712	925	1192	1390	1515	1656	1919	2685	3018	3557	3831
KBM 1270 P	1270	128	159	252	410	594	741	963	1241	1447	1577	1723	1997	2795	3142	3702	3988
KBM 1320 P	1320	133	165	262	427	618	770	1001	1290	1504	1639	1791	2076	2905	3265	3848	4145
KBM 1390 P	1390	140	174	275	449	650	811	1054	1358	1584	1726	1886	2186	3059	3439	4052	4364
KBM 1445 P	1445	146	181	286	467	676	843	1096	1412	1646	1794	1961	2272	3180	3575	4213	4537
KBM 1460 P	1460	147	183	289	472	683	852	1107	1427	1663	1813	1981	2296	3213	3612	4256	4584

Performance data of KBM range in Amperes

After long term float charge of fully charged cells at +20°C ±5°C (+68°F ± 9°F)

Final Cell Voltage: 1.00 V

Cell Type	C ₅ Ah	Hours							Minutes					Seconds			
		10	8	5	3	2	1.5	1	30	20	15	10	5	60	30	5	1
KBM 12 P	12	1.22	1.51	2.40	3.93	5.73	7.42	9.74	13.0	15.0	16.2	18.5	22.2	31.3	35.6	43.6	47.1
KBM 17 P	17	1.73	2.14	3.40	5.56	8.11	10.5	13.8	18.5	21.3	23.0	26.2	31.4	44.3	50.4	61.8	66.7
KBM 22 P	22	2.23	2.77	4.40	7.20	10.5	13.6	17.9	23.9	27.6	29.8	34.0	40.7	57.3	65.3	80.0	86.3
KBM 28 P	28	2.84	3.53	5.60	9.16	13.4	17.3	22.7	30.4	35.1	37.9	43.2	51.8	72.9	83.1	102	110
KBM 35 P	35	3.55	4.41	7.00	11.4	16.7	21.6	28.4	38.0	43.9	47.3	54.0	64.7	91.2	104	127	137
KBM 44 P	44	4.47	5.55	8.80	14.4	21.0	27.2	35.7	47.8	55.1	59.5	67.9	81.4	115	131	160	173
KBM 50 P	50	5.09	6.30	10.0	16.4	23.9	31.0	41.9	57.5	66.1	71.5	81.5	96.0	130	145	173	183
KBM 57 P	57	5.80	7.18	11.4	18.7	27.2	35.3	47.8	65.5	75.4	81.5	92.9	109	148	165	197	208
KBM 67 P	67	6.82	8.44	13.4	21.9	32.0	41.5	56.2	77.0	88.6	95.8	109	129	174	194	231	245
KBM 75 P	75	7.64	9.45	15.0	24.5	35.9	46.5	62.9	86.2	99.2	107	122	144	194	217	259	274
KBM 90 P	90	9.16	11.3	18.0	29.4	43.0	55.8	75.5	103	119	129	147	173	233	260	311	329
KBM 95 P	95	9.67	12.0	19.0	31.1	45.4	58.9	79.7	109	126	136	155	182	246	275	328	347
KBM 100 P	100	10.2	12.6	20.0	32.7	47.8	62.0	83.9	115	132	143	163	192	259	289	345	365
KBM 112 P	112	11.4	14.1	22.4	36.6	53.5	69.4	94.0	129	148	160	183	215	290	324	387	409
KBM 118 P	118	12.0	14.9	23.6	38.6	56.4	73.2	99.0	136	156	169	192	227	306	341	407	431
KBM 128 P	128	13.0	16.1	25.60	41.88	61.2	79.4	107	147	169	183	209	246	332	370	442	468
KBM 138 P	138	14.1	17.4	27.6	45.2	66.0	85.6	116	159	182	197	225	265	358	399	476	504
KBM 150 P	150	15.3	18.9	30.0	49.1	71.7	93.0	126	172	198	214	245	288	389	434	518	548
KBM 161 P	161	16.4	20.3	32.2	52.7	77.0	99.8	135	185	213	230	263	309	417	466	556	588
KBM 170 P	170	17.3	21.4	34.0	55.6	81.3	105	143	195	225	243	277	326	441	492	587	621
KBM 184 P	184	18.7	23.2	36.8	60.2	88.0	114	154	212	243	263	300	353	477	532	635	672
KBM 193 P	193	19.7	24.3	38.6	63.1	92.3	120	162	222	255	276	315	371	500	558	666	705
KBM 200 P	200	20.4	25.2	40.0	65.4	95.6	124	168	230	264	286	326	384	518	578	690	731
KBM 208 P	208	21.2	26.2	41.6	68.1	99.4	129	174	239	275	297	339	399	539	602	718	760
KBM 218 P	218	22.2	27.5	43.6	71.3	104	135	183	251	288	312	355	419	565	631	753	796
KBM 231 P	231	23.5	29.1	46.2	75.6	110	143	194	266	305	330	377	444	599	668	797	844
KBM 241 P	241	24.5	30.4	48.2	78.9	115	149	202	277	319	344	393	463	625	697	832	880
KBM 250 P	250	25.5	31.5	50.0	81.8	120	155	210	287	331	357	408	480	648	723	863	913
KBM 260 P	260	26.5	32.8	52.0	85.1	124	161	218	299	344	372	424	499	674	752	898	950
KBM 277 P	277	28.2	34.9	55.4	90.6	132	172	232	318	366	396	452	532	718	801	956	1012
KBM 300 P	300	30.5	37.8	60.0	98.2	143	186	252	345	397	429	489	576	777	868	1036	1096
KBM 323 P	323	32.9	40.7	64.6	106	154	200	271	371	427	462	527	620	837	934	1115	1180
KBM 346 P	346	35.2	43.6	69.2	113	165	215	290	398	457	494	564	664	897	1001	1194	1264
KBM 369 P	369	37.6	46.5	73.8	121	176	229	310	424	488	527	602	708	956	1067	1274	1348
KBM 390 P	390	39.7	49.1	78.0	128	186	242	327	448	516	557	636	749	1011	1128	1346	1425
KBM 400 P	400	40.7	50.4	80.0	131	191	248	336	460	529	572	652	768	1037	1157	1381	1461
KBM 415 P	415	42.3	52.3	83.0	136	198	257	348	477	549	593	677	797	1075	1200	1433	1516
KBM 438 P	438	44.6	55.2	87.6	143	209	272	367	504	579	626	714	841	1135	1267	1512	1600
KBM 461 P	461	46.9	58.1	92.2	151	220	286	387	530	610	659	752	885	1195	1333	1591	1684
KBM 485 P	485	49.4	61.1	97.0	159	232	301	407	558	641	693	791	931	1257	1403	1674	1772

Performance data of KBM range in Amperes

After long term float charge of fully charged cells at +20°C ±5°C (+68°F ± 9°F)

Final Cell Voltage: 1.00 V

Cell Type	C ₅ Ah	Hours							Minutes					Seconds			
		10	8	5	3	2	1.5	1	30	20	15	10	5	60	30	5	1
KBM 505 P	505	51.4	63.6	101	165	241	313	424	581	668	722	823	970	1309	1461	1743	1845
KBM 525 P	525	53.5	66.2	105	172	251	326	440	604	694	750	856	1008	1360	1519	1812	1918
KBM 555 P	555	56.5	69.9	111	182	265	344	466	638	734	793	905	1066	1438	1605	1916	2028
KBM 580 P	580	59.1	73.1	116	190	277	360	487	667	767	829	946	1114	1503	1678	2002	2119
KBM 600 P	600	61.1	75.6	120	196	287	372	503	690	793	857	978	1152	1555	1735	2071	2192
KBM 625 P	625	63.6	78.8	125	204	299	388	524	719	826	893	1019	1200	1620	1808	2158	2283
KBM 650 P	650	66.2	81.9	130	213	311	403	545	747	859	929	1060	1248	1684	1880	2244	2375
KBM 675 P	675	68.7	85.1	135	221	323	419	566	776	892	965	1101	1296	1749	1952	2330	2466
KBM 690 P	690	70.3	87.0	138	226	330	428	579	793	912	986	1125	1325	1788	1996	2382	2521
KBM 723 P	723	73.6	91.1	145	237	346	448	607	831	956	1033	1179	1388	1874	2091	2496	2641
KBM 740 P	740	75.4	93.3	148	242	354	459	621	851	978	1058	1207	1421	1918	2140	2555	2703
KBM 770 P	770	78.4	97.0	154	252	368	477	646	885	1018	1100	1255	1478	1995	2227	2658	2813
KBM 790 P	790	80.4	99.6	158	258	378	490	663	908	1044	1129	1288	1517	2047	2285	2727	2886
KBM 805 P	805	82.0	101	161	263	385	499	675	926	1064	1150	1313	1546	2086	2328	2779	2941
KBM 830 P	830	84.5	105	166	272	397	515	696	954	1097	1186	1353	1594	2151	2401	2865	3032
KBM 865 P	865	88.1	109	173	283	413	536	726	995	1144	1236	1410	1661	2242	2502	2986	3160
KBM 890 P	890	90.6	112	178	291	425	552	747	1023	1177	1272	1451	1709	2306	2574	3072	3251
KBM 920 P	920	93.7	116	184	301	440	570	772	1058	1216	1315	1500	1766	2384	2661	3176	3361
KBM 940 P	940	95.7	118	188	308	449	583	789	1081	1243	1343	1533	1805	2436	2719	3245	3434
KBM 965 P	965	98.3	122	193	316	461	598	810	1110	1276	1379	1573	1853	2501	2791	3331	3525
KBM 1000 P	1000	102	126	200	327	478	620	839	1150	1322	1429	1630	1920	2591	2892	3452	3653
KBM 1040 P	1040	106	131	208	340	497	645	872	1196	1375	1486	1696	1997	2695	3008	3590	3799
KBM 1080 P	1080	110	136	216	353	516	670	906	1242	1428	1543	1761	2074	2799	3124	3728	3946
KBM 1100 P	1100	112	139	220	360	526	682	923	1265	1454	1572	1794	2112	2850	3182	3797	4019
KBM 1150 P	1150	117	145	230	376	550	713	965	1322	1520	1643	1875	2208	2980	3326	3970	4201
KBM 1180 P	1180	120	149	236	386	564	732	990	1357	1560	1686	1924	2266	3058	3413	4074	4311
KBM 1220 P	1220	124	154	244	399	583	756	1023	1403	1613	1744	1989	2342	3161	3529	4212	4457
KBM 1270 P	1270	129	160	254	416	607	787	1065	1460	1679	1815	2071	2438	3291	3673	4384	4640
KBM 1320 P	1320	134	166	264	432	631	818	1107	1518	1745	1886	2152	2534	3421	3818	4557	4822
KBM 1390 P	1390	142	175	278	455	664	862	1166	1598	1838	1986	2266	2669	3602	4021	4799	5078
KBM 1445 P	1445	147	182	289	473	691	896	1212	1661	1910	2065	2356	2774	3744	4180	4988	5279
KBM 1460 P	1460	149	184	292	478	698	905	1225	1679	1930	2086	2381	2803	3783	4223	5040	5334

L Range

Cell dimensions and weight details

Cell type	Capacity (C _s Ah)	Cell dimensions in mm					Approx. weight per cell in kg	Cell connection bolt size	Container size reference	Approx. reserve electrolyte cc/cell
		Height	Width	Length per block						
				1.2 V L (1)	2.4 V L (2)	3.6 V L (3)				
KBL 8 P	8						1.30			
KBL 17 P	17	264	123		79	115	1.50	M6	B22-1	110
KBL 23 P	23						2.00			
KBL 34 P	34	264	123		103	151	2.10	M6	B23-1	145
KBL 40 P	40						2.30			
KBL 46 P	46	264	123		127	187	2.70	M6	B24-1	185
KBL 55 P	55						2.90			
KBL 70 P	70						4.20			
KBL 80 P	80	405	195		79	115	4.50	M10	B45-1	280
KBL 90 P	90						4.80			
KBL 100 P	100	349	195		103	151	5.30	M10	B33-1	380
KBL 112 P	112	405	195		103	151	5.80	M10	B43-1	380
KBL 125 P	125						6.00			
KBL 135 P	135	405	195		115	169	7.30	M10	B42A-1	450
KBL 150 P	150						7.60			
KBL 160 P	160	405	195		127	187	7.80	M10	B42-1	515
KBL 170 P	170						8.00			
KBL 180 P	180						8.10			
KBL 200 P	200						9.30			
KBL 214 P	214	405	195		159	232	9.40	M10	B41B-1	650
KBL 225 P	225						9.70			
KBL 240 P	240						10.9			
KBL 255 P	255	405	195		183	268	11.0	M10	B41-1	745
KBL 270 P	270						11.2			
KBL 280 P	280	405	195	120	228	336	14.0	2 x M10	B42A-2	900
KBL 300 P	300						14.0			
KBL 320 P	320	405	195	132	252	372	15.8	2 x M10	B42-2	1030
KBL 340 P	340						16.0			
KBL 360 P	360						16.2			
KBL 380 P	380						18.2			
KBL 400 P	400						18.5			
KBL 415 P	415	405	195	159	304		18.6	2 x M10	B41B-2	1300
KBL 435 P	435						18.9			
KBL 450 P	450						19.1			
KBL 460 P	460						19.2			
KBL 480 P	480						24.6			
KBL 500 P	500	405	195	183	352		24.7	2 x M10	B41-2	1490
KBL 510 P	510						24.8			
KBL 550 P	550						25.5			

L Range

Cell dimensions and weight details

Cell type	Capacity (C _s Ah)	Cell dimensions in mm					Approx. weight per cell in kg	Cell connection bolt size	Container size reference	Approx. reserve electrolyte cc/cell
		Height	Width	Length per block						
				1.2 V L (1)	2.4 V L (2)	3.6 V L (3)				
KBL 575 P	575	405	195	232			27.8	3 x M10	B41B-3	1950
KBL 600 P	600						28.2			
KBL 635 P	635						28.4			
KBL 650 P	650						28.7			
KBL 675 P	675						29.0			
KBL 690 P	690						29.1			
KBL 720 P	720	405	195	268			31.8	3 x M10	B41-3	2235
KBL 750 P	750						32.2			
KBL 770 P	770						32.4			
KBL 800 P	800						33.1			
KBL 830 P	830						33.5			
KBL 860 P	860						37.7			
KBL 890 P	890	405	195	304			38.6	4 x M10	B41B-4	2600
KBL 920 P	920						38.8			
KBL 980 P	980						42.5			
KBL 1000 P	1000	405	195	352			43.0	4 x M10	B41-4	2980
KBL 1020 P	1020						43.2			
KBL 1060 P	1060						44.1			
KBL 1100 P	1100						44.5			
KBL 1125 P	1125						49.5			
KBL 1150 P	1150						49.8			
KBL 1200 P	1200	405	195	437			53.9	5 x M10	B41-5	3725
KBL 1225 P	1225						54.1			
KBL 1250 P	1250						54.3			
KBL 1280 P	1280						54.6			
KBL 1320 P	1320						55.7			
KBL 1360 P	1360						56.1			
KBL 1400 P	1400						56.5			
KBL 1450 P	1450						64.5			
KBL 1500 P	1500						64.8			
KBL 1540 P	1540						65.2			
KBL 1600 P	1600	405	195	522			66.5	6 x M10	B41-6	4470
KBL 1660 P	1660						67.3			
KBL 1680 P	1680						67.4			

Performance data of KBL range in Amperes

After fully charged with constant current charging at +20°C ±5°C (+68°F ± 9°F)

Final Cell Voltage: 1.14 V

Cell Type	C ₅ Ah	Hours							Minutes					Seconds			
		10	8	5	3	2	1.5	1	30	20	15	10	5	60	30	5	1
KBL 8 P	8	0.79	0.97	1.51	2.38	3.07	3.52	4.08	5.11	5.76	6.21	6.88	7.98	10.5	11.3	12.2	13.6
KBL 17 P	17	1.67	2.06	3.22	5.05	6.52	7.48	8.7	10.9	12.2	13.2	14.6	17.0	22.4	24.0	25.8	28.9
KBL 23 P	23	2.26	2.78	4.35	6.83	8.82	10.1	11.7	14.7	16.6	17.8	19.8	23.0	30.3	32.4	35.0	39.1
KBL 34 P	34	3.34	4.11	6.43	10.1	13.0	15.0	17.3	21.7	24.5	26.4	29.3	33.9	44.8	47.9	51.7	57.9
KBL 40 P	40	3.93	4.84	7.57	11.9	15.3	17.6	20.4	25.6	28.8	31.0	34.4	39.9	52.7	56.4	60.8	68.1
KBL 46 P	46	4.51	5.57	8.70	13.7	17.6	20.2	23.4	29.4	33.1	35.7	39.6	45.9	60.6	64.8	69.9	78.3
KBL 55 P	55	5.40	6.65	10.4	16.3	21.1	24.2	28.0	35.2	39.6	42.7	47.3	54.9	72.5	77.5	83.6	93.6
KBL 70 P	70	6.85	8.46	13.2	20.8	26.6	30.4	35.7	44.1	49.7	53.1	58.7	68.7	89.0	96.6	104	105
KBL 80 P	80	7.83	9.67	15.1	23.8	30.4	34.8	40.8	50.4	56.8	60.7	67.1	78.5	102	110	118	120
KBL 90 P	90	8.80	10.9	17.0	26.7	34.2	39.1	45.9	56.7	63.9	68.3	75.5	88.3	114	124	133	135
KBL 100 P	100	9.78	12.1	18.9	29.7	38.4	44.0	51.0	64.0	72.0	77.8	86.0	100	131	141	152	170
KBL 112 P	112	11.0	13.5	21.2	33.3	42.6	48.7	57.1	70.5	79.5	85.0	93.9	110	142	155	166	168
KBL 125 P	125	12.2	15.1	23.6	37.1	47.5	54.4	63.7	78.7	88.8	94.8	105	123	159	173	185	187
KBL 135 P	135	13.2	16.3	25.5	40.1	51.3	58.7	68.8	85.0	95.9	102	113	132	172	186	200	202
KBL 150 P	150	14.7	18.1	28.4	44.5	57.0	65.2	76.5	94.5	107	114	126	147	191	207	222	225
KBL 160 P	160	15.7	19.3	30.2	47.5	60.8	69.6	81.6	101	114	121	134	157	203	221	237	240
KBL 170 P	170	16.6	20.6	32.1	50.5	64.6	73.9	86.7	107	121	129	143	167	216	235	252	255
KBL 180 P	180	17.6	21.8	34.0	53.4	68.4	78.3	91.8	113	128	137	151	177	229	249	266	270
KBL 200 P	200	19.6	24.2	37.8	59.4	76.0	87.0	102	126	142	152	168	196	254	276	296	300
KBL 214 P	214	20.9	25.9	40.4	63.5	81.3	93.1	109	135	152	162	180	210	272	295	317	321
KBL 225 P	225	22.0	27.2	42.5	66.8	85.5	97.8	115	142	160	171	189	221	286	311	333	337
KBL 240 P	240	23.5	29.0	45.4	71.3	91.2	104	122	151	170	182	201	235	305	331	355	360
KBL 255 P	255	24.9	30.8	48.2	75.7	96.9	111	130	161	181	193	214	250	324	352	377	382
KBL 270 P	270	26.4	32.6	51.0	80.2	103	117	138	170	192	205	226	265	343	373	399	405
KBL 280 P	280	27.4	33.9	52.9	83.1	106	122	143	176	199	212	235	275	356	387	414	420
KBL 300 P	300	29.3	36.3	56.7	89.1	114	130	153	189	213	228	252	294	381	414	444	450
KBL 320 P	320	31.3	38.7	60.5	95.0	122	139	163	202	227	243	268	314	407	442	473	480
KBL 340 P	340	33.3	41.1	64.3	101	129	148	173	214	241	258	285	333	432	469	503	510
KBL 360 P	360	35.2	43.5	68.0	107	137	157	184	227	256	273	302	353	458	497	533	540
KBL 380 P	380	37.2	45.9	71.8	113	144	165	194	239	270	288	319	373	483	525	562	570
KBL 400 P	400	39.1	48.4	75.6	119	152	174	204	252	284	304	336	392	509	552	592	600
KBL 415 P	415	40.6	50.2	78.4	123	158	180	212	261	295	315	348	407	528	573	614	622
KBL 435 P	435	42.6	52.6	82.2	129	165	189	222	274	309	330	365	427	553	601	644	652
KBL 450 P	450	44.0	54.4	85.1	134	171	196	229	283	320	341	377	441	572	621	666	675
KBL 460 P	460	45.0	55.6	86.9	137	175	200	235	290	327	349	386	451	585	635	681	690
KBL 480 P	480	47.0	58.0	90.7	143	182	209	245	302	341	364	403	471	610	663	710	720
KBL 500 P	500	48.9	60.5	94.5	148	190	217	255	315	355	379	419	490	636	690	740	750
KBL 510 P	510	49.9	61.7	96.4	151	194	222	260	321	362	387	428	500	648	704	755	765
KBL 550 P	550	53.8	66.5	104	163	209	239	280	346	391	417	461	539	699	759	814	825

Performance data of KBL range in Amperes

After fully charged with constant current charging at +20°C ±5°C (+68°F ± 9°F)

Final Cell Voltage: 1.14 V

Cell Type	C ₅ Ah	Hours							Minutes					Seconds			
		10	8	5	3	2	1.5	1	30	20	15	10	5	60	30	5	1
KBL 575 P	575	56.2	69.5	109	171	219	250	293	362	408	436	482	564	731	794	851	862
KBL 600 P	600	58.7	72.5	113	178	228	261	306	378	426	455	503	588	763	828	888	900
KBL 635 P	635	62.1	76.8	120	189	241	276	324	400	451	482	533	623	807	877	939	952
KBL 650 P	650	63.6	78.6	123	193	247	283	331	409	462	493	545	638	826	897	962	975
KBL 675 P	675	66.0	81.6	128	200	257	294	344	425	479	512	566	662	858	932	999	1012
KBL 690 P	690	67.5	83.4	130	205	262	300	352	434	490	524	579	677	877	953	1021	1035
KBL 720 P	720	70.4	87.1	136	214	274	313	367	453	511	546	604	706	915	994	1065	1080
KBL 750 P	750	73.4	90.7	142	223	285	326	382	472	533	569	629	736	954	1036	1110	1125
KBL 770 P	770	75.3	93.1	146	229	293	335	393	485	547	584	646	755	979	1063	1139	1155
KBL 800 P	800	78.3	96.7	151	238	304	348	408	504	568	607	671	785	1017	1105	1184	1200
KBL 830 P	830	81.2	100	157	246	315	361	423	523	589	630	696	814	1055	1146	1228	1245
KBL 860 P	860	84.1	104	163	255	327	374	439	542	611	653	721	843	1093	1187	1272	1290
KBL 890 P	890	87.1	108	168	264	338	387	454	560	632	675	747	873	1132	1229	1317	1335
KBL 920 P	920	90.0	111	174	273	350	400	469	579	653	698	772	902	1170	1270	1361	1380
KBL 980 P	980	95.9	118	185	291	372	426	500	617	696	744	822	961	1246	1353	1450	1470
KBL 1000 P	1000	97.8	121	189	297	380	435	510	630	710	759	839	981	1271	1381	1479	1500
KBL 1020 P	1020	99.8	123	193	303	388	444	520	642	724	774	856	1000	1297	1408	1509	1530
KBL 1060 P	1060	104	128	200	315	403	461	541	667	753	804	889	1040	1348	1464	1568	1590
KBL 1100 P	1100	108	133	208	327	418	478	561	693	781	835	923	1079	1399	1519	1627	1650
KBL 1125 P	1125	110	136	213	334	428	489	574	708	799	854	944	1103	1430	1553	1664	1687
KBL 1150 P	1150	112	139	217	341	437	500	586	724	817	873	965	1128	1462	1588	1701	1725
KBL 1200 P	1200	117	145	227	356	456	522	612	756	852	911	1007	1177	1526	1657	1775	1800
KBL 1225 P	1225	120	148	232	364	466	533	625	771	870	929	1028	1201	1558	1691	1812	1837
KBL 1250 P	1250	122	151	236	371	475	544	637	787	888	948	1049	1226	1589	1726	1849	1875
KBL 1280 P	1280	125	155	242	380	486	557	653	806	909	971	1074	1255	1627	1767	1894	1920
KBL 1320 P	1320	129	160	249	392	502	574	673	831	937	1002	1107	1295	1678	1822	1953	1980
KBL 1360 P	1360	133	164	257	404	517	591	693	856	966	1032	1141	1334	1729	1878	2012	2040
KBL 1400 P	1400	137	169	265	416	532	609	714	882	994	1062	1174	1373	1780	1933	2071	2100
KBL 1450 P	1450	142	175	274	431	551	631	739	913	1030	1100	1216	1422	1844	2002	2145	2175
KBL 1500 P	1500	147	181	284	445	570	652	765	945	1065	1138	1258	1471	1907	2071	2219	2250
KBL 1540 P	1540	151	186	291	457	585	670	785	970	1093	1168	1292	1510	1958	2126	2278	2310
KBL 1600 P	1600	157	193	302	475	608	696	816	1008	1136	1214	1342	1569	2034	2209	2367	2400
KBL 1660 P	1660	162	201	314	493	631	722	846	1045	1179	1260	1392	1628	2111	2292	2456	2490
KBL 1680 P	1680	164	203	318	499	638	731	857	1058	1193	1275	1409	1648	2136	2320	2485	2520

Performance data of KBL range in Amperes

After fully charged with constant current charging at +20°C ±5°C (+68°F ± 9°F)

Final Cell Voltage: 1.10 V

Cell Type	C ₅ Ah	Hours							Minutes					Seconds			
		10	8	5	3	2	1.5	1	30	20	15	10	5	60	30	5	1
KBL 8 P	8	0.80	0.99	1.55	2.46	3.41	4.07	4.81	5.97	6.81	7.28	8.00	9.42	12.0	13.0	14.0	15.9
KBL 17 P	17	1.70	2.10	3.30	5.23	7.24	8.65	10.2	12.7	14.5	15.5	17.0	20.0	25.5	27.7	29.8	33.7
KBL 23 P	23	2.30	2.85	4.46	7.08	9.80	11.7	13.8	17.2	19.6	20.9	23.0	27.1	34.5	37.4	40.4	45.6
KBL 34 P	34	3.40	4.21	6.60	10.5	14.5	17.3	20.4	25.4	28.9	31.0	34.0	40.0	51.1	55.4	59.6	67.4
KBL 40 P	40	4.00	4.95	7.76	12.3	17.0	20.3	24.0	29.9	34.0	36.4	40.0	47.1	60.1	65.1	70.2	79.3
KBL 46 P	46	4.60	5.69	8.92	14.2	19.6	23.4	27.7	34.4	39.2	41.9	46.0	54.2	69.1	74.9	80.7	91.2
KBL 55 P	55	5.50	6.80	10.7	16.9	23.4	28.0	33.1	41.1	46.8	50.1	55.0	64.8	82.6	89.5	96.5	109
KBL 70 P	70	7.00	8.67	13.6	21.6	29.7	35.1	41.3	51.8	58.2	62.3	68.7	81.2	104	111	120	122
KBL 80 P	80	8.00	9.90	15.5	24.6	33.9	40.2	47.2	59.2	66.6	71.2	78.5	92.8	118	127	138	139
KBL 90 P	90	9.00	11.1	17.4	27.7	38.2	45.2	53.1	66.6	74.9	80.1	88.3	104	133	143	155	157
KBL 100 P	100	10.0	12.4	19.4	30.7	42.7	50.9	60.0	74.8	85.2	91.3	100	118	150	163	181	196
KBL 112 P	112	11.2	13.9	21.7	34.5	47.5	56.2	66.1	82.9	93.2	100	110	130	166	178	193	195
KBL 125 P	125	12.5	15.5	24.2	38.5	53.0	62.8	73.7	92.5	104	111	123	145	185	199	215	217
KBL 135 P	135	13.5	16.7	26.1	41.6	57.3	67.8	79.6	99.9	112	120	132	157	200	215	232	235
KBL 150 P	150	15.0	18.6	29.0	46.2	63.7	75.3	88.5	111	125	133	147	174	222	238	258	261
KBL 160 P	160	16.0	19.8	31.0	49.3	67.9	80.3	94.4	118	133	142	157	186	237	254	275	278
KBL 170 P	170	17.0	21.0	32.9	52.3	72.1	85.3	100	126	141	151	167	197	252	270	293	296
KBL 180 P	180	18.0	22.3	34.9	55.4	76.4	90.4	106	133	150	160	177	209	266	286	310	313
KBL 200 P	200	20.0	24.8	38.7	61.6	84.9	100	118	148	166	178	196	232	296	318	344	348
KBL 214 P	214	21.4	26.5	41.4	65.9	90.8	107	126	158	178	190	210	248	317	340	368	372
KBL 225 P	225	22.5	27.9	43.6	69.3	95.5	113	133	167	187	200	221	261	333	358	387	391
KBL 240 P	240	24.0	29.7	46.5	73.9	102	120	142	178	200	214	235	278	355	382	413	417
KBL 255 P	255	25.5	31.6	49.4	78.5	108	128	150	189	212	227	250	296	377	405	439	444
KBL 270 P	270	27.0	33.4	52.3	83.1	115	136	159	200	225	240	265	313	400	429	465	470
KBL 280 P	280	28.0	34.7	54.2	86.2	119	141	165	207	233	249	275	325	414	445	482	487
KBL 300 P	300	30.0	37.1	58.1	92.4	127	151	177	222	250	267	294	348	444	477	516	522
KBL 320 P	320	32.0	39.6	62.0	98.5	136	161	189	237	266	285	314	371	473	509	551	557
KBL 340 P	340	34.0	42.1	65.8	105	144	171	201	252	283	303	334	394	503	540	585	591
KBL 360 P	360	36.0	44.6	69.7	111	153	181	212	266	300	320	353	418	533	572	620	626
KBL 380 P	380	38.0	47.0	73.6	117	161	191	224	281	316	338	373	441	562	604	654	661
KBL 400 P	400	40.0	49.5	77.5	123	170	201	236	296	333	356	392	464	592	636	688	696
KBL 415 P	415	41.5	51.4	80.4	128	176	208	245	307	345	369	407	482	614	660	714	722
KBL 435 P	435	43.5	53.9	84.2	134	185	218	257	322	362	387	427	505	644	692	749	757
KBL 450 P	450	45.0	55.7	87.1	139	191	226	265	333	374	400	441	522	666	715	775	783
KBL 460 P	460	46.0	56.9	89.1	142	195	231	271	340	383	409	451	534	681	731	792	800
KBL 480 P	480	48.0	59.4	92.9	148	204	241	283	355	399	427	471	557	710	763	826	835
KBL 500 P	500	50.0	61.9	96.8	154	212	251	295	370	416	445	490	580	740	795	861	870
KBL 510 P	510	51.0	63.1	98.8	157	216	256	301	377	424	454	500	592	755	811	878	887
KBL 550 P	550	55.0	68.1	107	169	233	276	324	407	458	489	540	638	814	874	947	957

Performance data of KBL range in Amperes

After fully charged with constant current charging at +20°C ±5°C (+68°F ± 9°F)

Final Cell Voltage: 1.10 V

Cell type	C ₃ Ah	Hours							Minutes					Seconds			
		10	8	5	3	2	1.5	1	30	20	15	10	5	60	30	5	1
KBL 575 P	575	57.5	71.2	111	177	244	289	339	426	478	512	564	667	851	914	990	1000
KBL 600 P	600	60.0	74.3	116	185	255	301	354	444	499	534	589	696	888	954	1033	1044
KBL 635 P	635	63.5	78.6	123	195	269	319	375	470	528	565	623	737	940	1009	1093	1105
KBL 650 P	650	65.0	80.5	126	200	276	326	383	481	541	578	638	754	962	1033	1119	1131
KBL 675 P	675	67.5	83.6	131	208	286	339	398	500	562	601	662	783	999	1073	1162	1174
KBL 690 P	690	69.0	85.4	134	212	293	346	407	511	574	614	677	801	1021	1097	1188	1200
KBL 720 P	720	72.0	89.1	139	222	306	361	425	533	599	641	706	835	1065	1145	1239	1252
KBL 750 P	750	75.0	92.8	145	231	318	377	442	555	624	667	736	870	1110	1192	1291	1305
KBL 770 P	770	77.0	95.3	149	237	327	387	454	570	641	685	755	893	1139	1224	1325	1339
KBL 800 P	800	80.0	99.0	155	246	339	402	472	592	666	712	785	928	1184	1272	1377	1392
KBL 830 P	830	83.0	103	161	256	352	417	490	614	691	739	814	963	1228	1319	1429	1444
KBL 860 P	860	86.0	106	167	265	365	432	507	637	715	765	844	998	1273	1367	1480	1496
KBL 890 P	890	89.0	110	172	274	378	447	525	659	740	792	873	1033	1317	1415	1532	1548
KBL 920 P	920	92.0	114	178	283	390	462	543	681	765	819	902	1067	1361	1462	1584	1600
KBL 980 P	980	98.0	121	190	302	416	492	578	725	815	872	961	1137	1450	1558	1687	1705
KBL 1000 P	1000	100	124	194	308	424	502	590	740	832	890	981	1160	1480	1590	1721	1739
KBL 1020 P	1020	102	126	198	314	433	512	602	755	849	908	1001	1183	1509	1621	1756	1774
KBL 1060 P	1060	106	131	205	326	450	532	625	785	882	943	1040	1230	1568	1685	1825	1844
KBL 1100 P	1100	110	136	213	339	467	552	649	814	915	979	1079	1276	1628	1749	1893	1913
KBL 1125 P	1125	113	139	218	346	477	565	664	833	936	1001	1104	1305	1665	1788	1936	1957
KBL 1150 P	1150	115	142	223	354	488	577	678	851	957	1023	1128	1334	1702	1828	1979	2000
KBL 1200 P	1200	120	149	232	369	509	602	708	888	998	1068	1177	1392	1776	1908	2065	2087
KBL 1225 P	1225	123	152	237	377	520	615	723	907	1019	1090	1202	1421	1813	1947	2109	2131
KBL 1250 P	1250	125	155	242	385	530	628	737	925	1040	1112	1226	1450	1850	1987	2152	2174
KBL 1280 P	1280	128	158	248	394	543	643	755	947	1065	1139	1256	1485	1894	2035	2203	2226
KBL 1320 P	1320	132	163	256	406	560	663	779	977	1098	1175	1295	1532	1953	2098	2272	2296
KBL 1360 P	1360	136	168	263	419	577	683	802	1007	1131	1210	1334	1578	2012	2162	2341	2366
KBL 1400 P	1400	140	173	271	431	594	703	826	1036	1165	1246	1373	1624	2072	2226	2410	2435
KBL 1450 P	1450	145	180	281	446	615	728	855	1073	1206	1290	1422	1682	2146	2305	2496	2522
KBL 1500 P	1500	150	186	290	462	637	753	885	1110	1248	1335	1471	1740	2220	2384	2582	2609
KBL 1540 P	1540	154	191	298	474	654	773	908	1140	1281	1370	1511	1787	2279	2448	2651	2679
KBL 1600 P	1600	160	198	310	493	679	803	944	1184	1331	1424	1570	1856	2367	2543	2754	2783
KBL 1660 P	1660	166	205	321	511	704	833	979	1229	1381	1477	1628	1926	2456	2639	2857	2887
KBL 1680 P	1680	168	208	325	517	713	843	991	1243	1398	1495	1648	1949	2486	2671	2892	2922

Performance data of KBL range in Amperes

After fully charged with constant current charging at +20°C ±5°C (+68°F ± 9°F)

Final Cell Voltage: 1.05 V

Cell Type	C ₅ Ah	Hours							Minutes					Seconds			
		10	8	5	3	2	1.5	1	30	20	15	10	5	60	30	5	1
KBL 8 P	8	0.82	1.01	1.58	2.54	3.61	4.48	5.44	7.05	7.93	8.55	9.49	11.0	14.2	15.4	16.9	19.0
KBL 17 P	17	1.73	2.15	3.37	5.40	7.68	9.51	11.6	15.0	16.9	18.2	20.2	23.4	30.1	32.6	35.9	40.4
KBL 23 P	23	2.35	2.90	4.55	7.31	10.4	12.9	15.6	20.3	22.8	24.6	27.3	31.7	40.7	44.2	48.5	54.6
KBL 34 P	34	3.47	4.29	6.73	10.8	15.4	19.0	23.1	30.0	33.7	36.4	40.3	46.9	60.2	65.3	71.7	80.7
KBL 40 P	40	4.08	5.05	7.92	12.7	18.1	22.4	27.2	35.3	39.7	42.8	47.5	55.2	70.8	76.8	84.4	95.0
KBL 46 P	46	4.69	5.81	9.11	14.6	20.8	25.7	31.3	40.6	45.6	49.2	54.6	63.4	81.5	88.3	97.1	109
KBL 55 P	55	5.61	6.95	10.9	17.5	24.8	30.8	37.4	48.5	54.6	58.8	65.3	75.8	97.4	106	116	131
KBL 70 P	70	7.15	8.89	13.9	22.2	31.5	39.1	47.8	60.3	68.0	73.5	81.8	94.7	120	130	146	155
KBL 80 P	80	8.17	10.2	15.8	25.4	36.0	44.6	54.6	68.9	77.7	84.0	93.5	108	138	149	166	177
KBL 90 P	90	9.20	11.4	17.8	28.6	40.5	50.2	61.4	77.5	87.4	94.5	105	122	155	167	187	199
KBL 100 P	100	10.2	12.6	19.8	31.9	45.1	56.0	69.0	88.2	99.1	108	120	138	177	192	210	231
KBL 112 P	112	11.4	14.2	22.2	35.6	50.4	62.5	76.4	96.5	109	118	131	152	193	208	233	247
KBL 125 P	125	12.8	15.9	24.8	39.7	56.3	69.8	85.3	108	121	131	146	169	215	232	260	276
KBL 135 P	135	13.8	17.1	26.7	42.9	60.8	75.3	92.1	116	131	142	158	183	232	251	281	298
KBL 150 P	150	15.3	19.0	29.7	47.6	67.5	83.7	102	129	146	158	175	203	258	279	312	331
KBL 160 P	160	16.3	20.3	31.7	50.8	72.0	89.3	109	138	155	168	187	216	275	298	333	353
KBL 170 P	170	17.4	21.6	33.7	54.0	76.5	94.9	116	146	165	179	199	230	293	316	353	375
KBL 180 P	180	18.4	22.9	35.6	57.2	81.0	100	123	155	175	189	210	243	310	335	374	397
KBL 200 P	200	20.4	25.4	39.6	63.5	90.0	112	136	172	194	210	234	271	344	372	416	441
KBL 214 P	214	21.9	27.2	42.4	68.0	96.3	119	146	184	208	225	250	289	368	398	445	472
KBL 225 P	225	23.0	28.6	44.6	71.5	101	126	153	194	218	236	263	304	387	418	468	497
KBL 240 P	240	24.5	30.5	47.5	76.2	108	134	164	207	233	252	280	325	413	446	499	530
KBL 255 P	255	26.1	32.4	50.5	81.0	115	142	174	220	248	268	298	345	439	474	530	563
KBL 270 P	270	27.6	34.3	53.5	85.8	122	151	184	233	262	284	315	365	465	502	561	596
KBL 280 P	280	28.6	35.5	55.5	88.9	126	156	191	241	272	294	327	379	482	521	582	618
KBL 300 P	300	30.7	38.1	59.4	95.3	135	167	205	258	291	315	351	406	516	558	624	662
KBL 320 P	320	32.7	40.6	63.4	102	144	179	218	276	311	336	374	433	551	595	665	706
KBL 340 P	340	34.7	43.2	67.3	108	153	190	232	293	330	357	397	460	585	632	707	751
KBL 360 P	360	36.8	45.7	71.3	114	162	201	246	310	349	378	421	487	620	670	748	795
KBL 380 P	380	38.8	48.2	75.3	121	171	212	259	327	369	399	444	514	654	707	790	839
KBL 400 P	400	40.9	50.8	79.2	127	180	223	273	345	388	420	467	541	688	744	832	883
KBL 415 P	415	42.4	52.7	82.2	132	187	232	283	358	403	436	485	561	714	772	863	916
KBL 435 P	435	44.4	55.2	86.1	138	196	243	297	375	422	457	508	588	749	809	904	960
KBL 450 P	450	46.0	57.1	89.1	143	203	251	307	388	437	473	526	609	774	837	936	993
KBL 460 P	460	47.0	58.4	91.1	146	207	257	314	396	447	483	538	622	792	855	956	1015
KBL 480 P	480	49.0	60.9	95.1	152	216	268	327	414	466	504	561	649	826	893	998	1060
KBL 500 P	500	51.1	63.5	99.0	159	225	279	341	431	485	525	584	676	860	930	1039	1104
KBL 510 P	510	52.1	64.7	101	162	230	285	348	439	495	536	596	690	878	948	1060	1126
KBL 550 P	550	56.2	69.8	109	175	248	307	375	474	534	578	643	744	947	1023	1143	1214

Performance data of KBL range in Amperes

After fully charged with constant current charging at +20°C ±5°C (+68°F ± 9°F)

Final Cell Voltage: 1.05 V

Cell type	C ₅ Ah	Hours							Minutes					Seconds			
		10	8	5	3	2	1.5	1	30	20	15	10	5	60	30	5	1
KBL 575 P	575	58.8	73.0	114	183	259	321	392	495	558	604	672	778	990	1069	1195	1269
KBL 600 P	600	61.3	76.2	119	191	270	335	409	517	582	630	701	812	1033	1116	1247	1324
KBL 635 P	635	64.9	80.6	126	202	286	354	433	547	616	667	742	859	1093	1181	1320	1402
KBL 650 P	650	66.4	82.5	129	206	293	363	443	560	631	683	760	879	1119	1209	1351	1435
KBL 675 P	675	69.0	85.7	134	214	304	377	460	581	655	709	789	913	1162	1255	1403	1490
KBL 690 P	690	70.5	87.6	137	219	311	385	471	594	670	725	806	933	1187	1283	1434	1523
KBL 720 P	720	73.6	91.4	143	229	324	402	491	620	699	756	841	974	1239	1339	1497	1589
KBL 750 P	750	76.6	95.2	149	238	338	419	512	646	728	788	876	1015	1291	1395	1559	1656
KBL 770 P	770	78.7	97.8	152	245	347	430	525	663	747	809	900	1042	1325	1432	1601	1700
KBL 800 P	800	81.7	102	158	254	360	446	546	689	777	840	935	1082	1377	1488	1663	1766
KBL 830 P	830	84.8	105	164	264	374	463	566	715	806	872	970	1123	1428	1544	1726	1832
KBL 860 P	860	87.9	109	170	273	387	480	587	741	835	903	1005	1163	1480	1599	1788	1898
KBL 890 P	890	90.9	113	176	283	401	497	607	767	864	935	1040	1204	1532	1655	1850	1965
KBL 920 P	920	94.0	117	182	292	414	513	628	793	893	966	1075	1244	1583	1711	1913	2031
KBL 980 P	980	100	124	194	311	441	547	669	844	951	1029	1145	1326	1687	1823	2037	2163
KBL 1000 P	1000	102	127	198	318	450	558	682	861	971	1050	1169	1353	1721	1860	2079	2207
KBL 1020 P	1020	104	129	202	324	459	569	696	879	990	1071	1192	1380	1755	1897	2121	2252
KBL 1060 P	1060	108	135	210	337	477	592	723	913	1029	1113	1239	1434	1824	1971	2204	2340
KBL 1100 P	1100	112	140	218	349	495	614	750	948	1068	1155	1285	1488	1893	2046	2287	2428
KBL 1125 P	1125	115	143	223	357	506	628	767	969	1092	1181	1315	1522	1936	2092	2339	2483
KBL 1150 P	1150	118	146	228	365	518	642	785	991	1116	1208	1344	1556	1979	2139	2391	2539
KBL 1200 P	1200	123	152	238	381	540	670	819	1034	1165	1260	1402	1623	2065	2232	2495	2649
KBL 1225 P	1225	125	156	243	389	552	684	836	1055	1189	1286	1431	1657	2108	2278	2547	2704
KBL 1250 P	1250	128	159	248	397	563	698	853	1077	1213	1313	1461	1691	2151	2325	2599	2759
KBL 1280 P	1280	131	163	253	407	576	714	873	1103	1243	1344	1496	1731	2203	2380	2661	2825
KBL 1320 P	1320	135	168	261	419	594	737	901	1137	1281	1386	1542	1786	2272	2455	2744	2914
KBL 1360 P	1360	139	173	269	432	612	759	928	1172	1320	1428	1589	1840	2340	2529	2827	3002
KBL 1400 P	1400	143	178	277	445	630	781	955	1206	1359	1470	1636	1894	2409	2604	2911	3090
KBL 1450 P	1450	148	184	287	461	653	809	989	1249	1408	1523	1694	1961	2495	2697	3015	3201
KBL 1500 P	1500	153	190	297	476	675	837	1023	1292	1456	1575	1753	2029	2581	2790	3118	3311
KBL 1540 P	1540	157	196	305	489	693	859	1051	1327	1495	1617	1800	2083	2650	2864	3202	3399
KBL 1600 P	1600	163	203	317	508	720	893	1092	1378	1553	1680	1870	2164	2753	2976	3326	3532
KBL 1660 P	1660	170	211	329	527	747	926	1132	1430	1611	1743	1940	2245	2857	3087	3451	3664
KBL 1680 P	1680	172	213	333	534	756	938	1146	1447	1631	1764	1963	2273	2891	3124	3493	3708

Performance data of KBL range in Amperes

After fully charged with constant current charging at +20°C ±5°C (+68°F ± 9°F)

Final Cell Voltage: 1.00 V

Cell Type	C ₅ Ah	Hours							Minutes					Seconds			
		10	8	5	3	2	1.5	1	30	20	15	10	5	60	30	5	1
KBL 8 P	8	0.82	1.02	1.60	2.59	3.72	4.70	6.16	7.93	9.06	9.78	10.9	12.6	16.3	17.6	20.4	23.0
KBL 17 P	17	1.74	2.17	3.40	5.51	7.91	9.99	13.1	16.9	19.3	20.8	23.2	26.8	34.6	37.4	43.3	48.9
KBL 23 P	23	2.36	2.93	4.60	7.45	10.7	13.5	17.7	22.8	26.1	28.1	31.3	36.3	46.8	50.6	58.6	66.1
KBL 34 P	34	3.49	4.33	6.80	11.0	15.8	20.0	26.2	33.7	38.5	41.6	46.3	53.6	69.2	74.8	86.7	97.7
KBL 40 P	40	4.10	5.10	8.00	13.0	18.6	23.5	30.8	39.7	45.3	48.9	54.5	63.1	81.4	88.0	102	115
KBL 46 P	46	4.72	5.86	9.20	14.9	21.4	27.0	35.4	45.6	52.1	56.3	62.7	72.5	93.6	101	117	132
KBL 55 P	55	5.64	7.01	11.0	17.8	25.6	32.3	42.4	54.6	62.3	67.3	75.0	86.7	112	121	140	158
KBL 70 P	70	7.22	8.92	14.0	22.7	32.5	41.0	52.6	68.0	77.7	84.0	93.1	107	138	149	168	174
KBL 80 P	80	8.26	10.2	16.0	25.9	37.1	46.8	60.1	77.7	88.8	96.0	106	122	158	170	192	199
KBL 90 P	90	9.29	11.5	18.0	29.1	41.8	52.7	67.6	87.4	99.9	108	120	138	177	192	216	223
KBL 100 P	100	10.3	12.7	20.0	32.4	46.5	58.8	77.0	99.1	114	122	136	157	202	220	245	265
KBL 112 P	112	11.6	14.3	22.4	36.2	52.0	65.6	84.1	109	124	134	149	171	221	238	269	278
KBL 125 P	125	12.9	15.9	25.0	40.5	58.0	73.2	93.9	121	139	150	166	191	246	266	300	310
KBL 135 P	135	13.9	17.2	27.0	43.7	62.7	79.0	101	131	150	162	180	207	266	287	324	335
KBL 150 P	150	15.5	19.1	30.0	48.5	69.6	87.8	113	146	166	180	199	230	296	319	360	372
KBL 160 P	160	16.5	20.4	32.0	51.8	74.3	93.7	120	155	178	192	213	245	315	341	384	397
KBL 170 P	170	17.5	21.7	34.0	55.0	78.9	99.5	128	165	189	204	226	260	335	362	408	422
KBL 180 P	180	18.6	22.9	36.0	58.3	83.5	105	135	175	200	216	239	276	355	383	432	447
KBL 200 P	200	20.6	25.5	40.0	64.7	92.8	117	150	194	222	240	266	306	394	426	480	496
KBL 214 P	214	22.1	27.3	42.8	69.3	99.3	125	161	208	238	257	285	328	422	456	514	531
KBL 225 P	225	23.2	28.7	45.0	72.8	104	132	169	218	250	270	299	344	444	479	540	558
KBL 240 P	240	24.8	30.6	48.0	77.7	111	140	180	233	266	288	319	367	473	511	576	596
KBL 255 P	255	26.3	32.5	51.0	82.5	118	149	192	248	283	306	339	390	503	543	612	633
KBL 270 P	270	27.9	34.4	54.0	87.4	125	158	203	262	300	324	359	413	532	575	648	670
KBL 280 P	280	28.9	35.7	56.0	90.6	130	164	210	272	311	336	372	429	552	596	672	695
KBL 300 P	300	31.0	38.2	60.0	97.1	139	176	225	291	333	360	399	459	591	639	720	744
KBL 320 P	320	33.0	40.8	64.0	104	149	187	240	311	355	384	426	490	631	681	768	794
KBL 340 P	340	35.1	43.3	68.0	110	158	199	255	330	377	408	452	521	670	724	816	844
KBL 360 P	360	37.1	45.9	72.0	117	167	211	270	350	400	432	479	551	710	766	864	893
KBL 380 P	380	39.2	48.4	76.0	123	176	222	285	369	422	456	505	582	749	809	912	943
KBL 400 P	400	41.3	51.0	80.0	129	186	234	300	388	444	480	532	612	789	852	960	993
KBL 415 P	415	42.8	52.9	83.0	134	193	243	312	403	461	498	552	635	818	883	996	1030
KBL 435 P	435	44.9	55.4	87.0	141	202	255	327	422	483	522	578	666	858	926	1044	1080
KBL 450 P	450	46.4	57.3	90.0	146	209	263	338	437	499	540	598	689	887	958	1080	1117
KBL 460 P	460	47.5	58.6	92.0	149	213	269	345	447	511	552	612	704	907	979	1104	1142
KBL 480 P	480	49.5	61.1	96.0	155	223	281	361	466	533	576	638	735	946	1022	1152	1191
KBL 500 P	500	51.6	63.7	100	162	232	293	376	486	555	600	665	766	986	1064	1200	1241
KBL 510 P	510	52.6	65.0	102	165	237	299	383	495	566	612	678	781	1005	1086	1224	1266
KBL 550 P	550	56.8	70.1	110	178	255	322	413	534	610	660	731	842	1084	1171	1320	1365

Performance data of KBL range in Amperes

After fully charged with constant current charging at +20°C ±5°C (+68°F ± 9°F)

Final Cell Voltage: 1.00 V

Cell Type	C ₅ Ah	Hours							Minutes					Seconds			
		10	8	5	3	2	1.5	1	30	20	15	10	5	60	30	5	1
KBL 575 P	575	59.3	73.3	115	186	267	337	432	558	638	690	765	880	1134	1224	1380	1427
KBL 600 P	600	61.9	76.4	120	194	278	351	451	583	666	720	798	919	1183	1277	1440	1489
KBL 635 P	635	65.5	80.9	127	206	295	372	477	617	705	762	844	972	1252	1352	1524	1576
KBL 650 P	650	67.1	82.8	130	210	302	380	488	631	721	780	864	995	1281	1384	1560	1613
KBL 675 P	675	69.7	86.0	135	218	313	395	507	655	749	810	898	1033	1331	1437	1620	1675
KBL 690 P	690	71.2	87.9	138	223	320	404	518	670	766	828	918	1056	1360	1469	1656	1712
KBL 720 P	720	74.3	91.7	144	233	334	421	541	699	799	864	957	1102	1419	1533	1728	1787
KBL 750 P	750	77.4	95.5	150	243	348	439	563	728	832	900	997	1148	1479	1597	1800	1861
KBL 770 P	770	79.5	98.1	154	249	357	451	578	748	855	924	1024	1179	1518	1639	1848	1911
KBL 800 P	800	82.6	102	160	259	371	468	601	777	888	960	1064	1225	1577	1703	1920	1985
KBL 830 P	830	85.6	106	166	269	385	486	623	806	921	996	1104	1271	1636	1767	1992	2060
KBL 860 P	860	88.7	110	172	278	399	503	646	835	954	1032	1144	1317	1695	1831	2064	2134
KBL 890 P	890	91.8	113	178	288	413	521	668	864	988	1068	1183	1363	1755	1895	2136	2209
KBL 920 P	920	94.9	117	184	298	427	539	691	893	1021	1104	1223	1409	1814	1958	2208	2283
KBL 980 P	980	101	125	196	317	455	574	736	952	1088	1176	1303	1500	1932	2086	2352	2432
KBL 1000 P	1000	103	127	200	324	464	585	751	971	1110	1200	1330	1531	1971	2129	2400	2482
KBL 1020 P	1020	105	130	204	330	473	597	766	990	1132	1224	1356	1562	2011	2171	2448	2531
KBL 1060 P	1060	109	135	212	343	492	620	796	1029	1176	1272	1410	1623	2090	2257	2544	2631
KBL 1100 P	1100	114	140	220	356	510	644	826	1068	1221	1320	1463	1684	2169	2342	2640	2730
KBL 1125 P	1125	116	143	225	364	522	659	845	1092	1249	1350	1496	1722	2218	2395	2700	2792
KBL 1150 P	1150	119	147	230	372	534	673	864	1117	1276	1380	1529	1761	2267	2448	2760	2854
KBL 1200 P	1200	124	153	240	388	557	702	901	1165	1332	1440	1596	1837	2366	2555	2880	2978
KBL 1225 P	1225	126	156	245	396	568	717	920	1190	1360	1470	1629	1876	2415	2608	2940	3040
KBL 1250 P	1250	129	159	250	405	580	732	939	1214	1387	1500	1662	1914	2464	2661	3000	3102
KBL 1280 P	1280	132	163	256	414	594	749	961	1243	1421	1536	1702	1960	2523	2725	3072	3176
KBL 1320 P	1320	136	168	264	427	613	773	991	1282	1465	1584	1755	2021	2602	2810	3168	3276
KBL 1360 P	1360	140	173	272	440	631	796	1021	1321	1509	1632	1808	2082	2681	2895	3264	3375
KBL 1400 P	1400	144	178	280	453	650	820	1051	1359	1554	1680	1862	2143	2760	2980	3360	3474
KBL 1450 P	1450	150	185	290	469	673	849	1089	1408	1609	1740	1928	2220	2859	3087	3480	3598
KBL 1500 P	1500	155	191	300	485	696	878	1127	1457	1665	1800	1995	2297	2957	3193	3600	3722
KBL 1540 P	1540	159	196	308	498	715	901	1157	1495	1709	1848	2048	2358	3036	3278	3696	3822
KBL 1600 P	1600	165	204	320	518	743	937	1202	1554	1776	1921	2128	2450	3154	3406	3840	3971
KBL 1660 P	1660	171	211	332	537	770	972	1247	1612	1842	1993	2207	2542	3273	3534	3984	4119
KBL 1680 P	1680	173	214	336	544	780	983	1262	1631	1865	2017	2234	2572	3312	3576	4032	4169

Performance data of KBL range in Amperes

After long term float charge of fully charged cells at +20°C ±5°C (+68°F ± 9°F)

Final Cell Voltage: 1.14 V

Cell Type	C ₅ Ah	Hours							Minutes					Seconds			
		10	8	5	3	2	1.5	1	30	20	15	10	5	60	30	5	1
KBL 8 P	8	0.79	0.97	1.51	2.27	2.67	2.91	3.15	4.04	4.55	4.90	5.18	5.96	7.60	8.80	11.5	13.2
KBL 17 P	17	1.67	2.06	3.21	4.82	5.67	6.18	6.70	8.59	9.67	10.4	11.0	12.7	16.1	18.7	24.5	28.1
KBL 23 P	23	2.26	2.78	4.34	6.52	7.66	8.36	9.07	11.6	13.1	14.1	14.9	17.1	21.8	25.3	33.2	38.0
KBL 34 P	34	3.34	4.11	6.42	9.64	11.3	12.4	13.4	17.2	19.3	20.8	22.0	25.3	32.3	37.4	49.0	56.2
KBL 40 P	40	3.93	4.84	7.55	11.3	13.3	14.5	15.8	20.2	22.8	24.5	25.9	29.8	38.0	44.0	57.7	66.1
KBL 46 P	46	4.51	5.57	8.68	13.0	15.3	16.7	18.1	23.2	26.2	28.1	29.8	34.2	43.7	50.6	66.4	76.0
KBL 55 P	55	5.40	6.65	10.4	15.6	18.3	20.0	21.7	27.8	31.3	33.7	35.6	40.9	52.2	60.5	79.3	90.9
KBL 70 P	70	6.85	8.45	13.2	19.8	23.3	25.3	27.3	31.0	33.2	34.4	38.7	45.0	57.9	62.8	71.2	78.8
KBL 80 P	80	7.83	9.65	15.1	22.7	26.6	28.9	31.2	35.4	37.9	39.4	44.3	51.5	66.1	71.8	81.4	90.1
KBL 90 P	90	8.81	10.9	17.0	25.5	29.9	32.5	35.1	39.9	42.7	44.3	49.8	57.9	74.4	80.8	91.6	101
KBL 100 P	100	9.78	12.1	18.9	28.3	33.6	36.6	39.0	45.8	52.2	52.4	59.8	65.2	85.3	91.5	114	128
KBL 112 P	112	11.0	13.5	21.1	31.8	37.2	40.4	43.7	49.6	53.1	55.1	62.0	72.1	92.6	101	114	126
KBL 125 P	125	12.2	15.1	23.6	35.4	41.6	45.1	48.8	55.4	59.3	61.5	69.2	80.4	103	112	127	141
KBL 135 P	135	13.2	16.3	25.5	38.3	44.9	48.7	52.7	59.8	64.0	66.4	74.7	86.9	112	121	137	152
KBL 150 P	150	14.7	18.1	28.3	42.5	49.9	54.1	58.5	66.4	71.1	73.8	83.0	96.5	124	135	153	169
KBL 160 P	160	15.7	19.3	30.2	45.4	53.2	57.7	62.4	70.9	75.9	78.7	88.5	103	132	144	163	180
KBL 170 P	170	16.6	20.5	32.1	48.2	56.5	61.4	66.3	75.3	80.6	83.6	94.1	109	140	153	173	191
KBL 180 P	180	17.6	21.7	34.0	51.0	59.8	65.0	70.2	79.7	85.3	88.5	100	116	149	162	183	203
KBL 200 P	200	19.6	24.1	37.7	56.7	66.5	72.2	78.0	88.6	94.8	98.4	111	129	165	180	203	225
KBL 214 P	214	20.9	25.8	40.4	60.7	71.1	77.2	83.5	94.8	101	105	118	138	177	192	218	241
KBL 225 P	225	22.0	27.1	42.5	63.8	74.8	81.2	87.8	100	107	111	125	145	186	202	229	253
KBL 240 P	240	23.5	29.0	45.3	68.0	79.8	86.6	93.6	106	114	118	133	154	198	215	244	270
KBL 255 P	255	24.9	30.8	48.1	72.3	84.8	92.0	99.5	113	121	125	141	164	211	229	259	287
KBL 270 P	270	26.4	32.6	51.0	76.6	89.8	97.4	105	120	128	133	149	174	223	242	275	304
KBL 280 P	280	27.4	33.8	52.8	79.4	93.1	101	109	124	133	138	155	180	231	251	285	315
KBL 300 P	300	29.4	36.2	56.6	85.1	100	108	117	133	142	148	166	193	248	269	305	338
KBL 320 P	320	31.3	38.6	60.4	90.7	106	115	125	142	152	157	177	206	264	287	326	360
KBL 340 P	340	33.3	41.0	64.2	96.4	113	123	133	151	161	167	188	219	281	305	346	383
KBL 360 P	360	35.2	43.4	67.9	102	120	130	140	159	171	177	199	232	298	323	366	405
KBL 380 P	380	37.2	45.8	71.7	108	126	137	148	168	180	187	210	244	314	341	387	428
KBL 400 P	400	39.1	48.3	75.5	113	133	144	156	177	190	197	221	257	331	359	407	450
KBL 415 P	415	40.6	50.1	78.3	118	138	150	162	184	197	204	230	267	343	373	422	467
KBL 435 P	435	42.6	52.5	82.1	123	145	157	170	193	206	214	241	280	360	391	443	490
KBL 450 P	450	44.0	54.3	84.9	128	150	162	176	199	213	221	249	290	372	404	458	507
KBL 460 P	460	45.0	55.5	86.8	130	153	166	179	204	218	226	255	296	380	413	468	518
KBL 480 P	480	47.0	57.9	90.6	136	160	173	187	213	228	236	266	309	397	431	488	541
KBL 500 P	500	48.9	60.3	94.4	142	166	180	195	221	237	246	277	322	413	449	509	563
KBL 510 P	510	49.9	61.5	96.3	145	170	184	199	226	242	251	282	328	421	458	519	574
KBL 550 P	550	53.8	66.4	104	156	183	198	215	244	261	271	304	354	455	494	559	619

Performance data of KBL range in Amperes

After long term float charge of fully charged cells at +20°C ±5°C (+68°F ± 9°F)

Final Cell Voltage: 1.14 V

Cell Type	C ₅ Ah	Hours							Minutes					Seconds			
		10	8	5	3	2	1.5	1	30	20	15	10	5	60	30	5	1
KBL 575 P	575	56.3	69.4	109	163	191	208	224	255	273	283	318	370	475	516	585	648
KBL 600 P	600	58.7	72.4	113	170	199	217	234	266	284	295	332	386	496	539	610	676
KBL 635 P	635	62.1	76.6	120	180	211	229	248	281	301	312	351	409	525	570	646	715
KBL 650 P	650	63.6	78.4	123	184	216	235	254	288	308	320	360	418	537	584	661	732
KBL 675 P	675	66.0	81.4	127	191	224	244	263	299	320	332	374	434	558	606	687	760
KBL 690 P	690	67.5	83.2	130	196	229	249	269	306	327	339	382	444	570	619	702	777
KBL 720 P	720	70.4	86.9	136	204	239	260	281	319	341	354	398	463	595	646	732	811
KBL 750 P	750	73.4	90.5	142	213	249	271	293	332	356	369	415	483	620	673	763	845
KBL 770 P	770	75.3	92.9	145	218	256	278	300	341	365	379	426	495	636	691	783	867
KBL 800 P	800	78.3	96.5	151	227	266	289	312	354	379	394	443	515	661	718	814	901
KBL 830 P	830	81.2	100	157	235	276	300	324	368	394	408	459	534	686	745	844	935
KBL 860 P	860	84.1	104	162	244	286	310	336	381	408	423	476	553	711	772	875	969
KBL 890 P	890	87.1	107	168	252	296	321	347	394	422	438	493	573	736	799	905	1002
KBL 920 P	920	90.0	111	174	261	306	332	359	407	436	453	509	592	760	826	936	1036
KBL 980 P	980	95.9	118	185	278	326	354	382	434	465	482	542	631	810	880	997	1104
KBL 1000 P	1000	97.8	121	189	284	332	361	390	443	474	492	553	643	826	898	1017	1126
KBL 1020 P	1020	99.8	123	193	289	339	368	398	452	484	502	564	656	843	916	1038	1149
KBL 1060 P	1060	104	128	200	301	352	383	414	469	503	521	587	682	876	952	1078	1194
KBL 1100 P	1100	108	133	208	312	366	397	429	487	522	541	609	708	909	988	1119	1239
KBL 1125 P	1125	110	136	212	319	374	406	439	498	533	553	623	724	930	1010	1144	1267
KBL 1150 P	1150	113	139	217	326	382	415	449	509	545	566	636	740	950	1032	1170	1295
KBL 1200 P	1200	117	145	226	340	399	433	468	531	569	590	664	772	992	1077	1221	1351
KBL 1225 P	1225	120	148	231	347	407	442	478	543	581	603	678	788	1012	1100	1246	1380
KBL 1250 P	1250	122	151	236	354	416	451	488	554	593	615	692	804	1033	1122	1272	1408
KBL 1280 P	1280	125	154	242	363	426	462	499	567	607	630	708	824	1058	1149	1302	1442
KBL 1320 P	1320	129	159	249	374	439	476	515	585	626	649	730	849	1091	1185	1343	1487
KBL 1360 P	1360	133	164	257	386	452	491	531	602	645	669	753	875	1124	1221	1383	1532
KBL 1400 P	1400	137	169	264	397	465	505	546	620	664	689	775	901	1157	1257	1424	1577
KBL 1450 P	1450	142	175	274	411	482	523	566	642	687	713	802	933	1198	1302	1475	1633
KBL 1500 P	1500	147	181	283	425	499	541	585	664	711	738	830	965	1240	1347	1526	1689
KBL 1540 P	1540	151	186	291	437	512	556	601	682	730	758	852	991	1273	1383	1567	1734
KBL 1600 P	1600	157	193	302	454	532	577	624	709	759	787	885	1029	1322	1436	1628	1802
KBL 1660 P	1660	162	200	313	471	552	599	648	735	787	817	919	1068	1372	1490	1689	1870
KBL 1680 P	1680	164	203	317	476	559	606	656	744	797	826	930	1081	1388	1508	1709	1892

Performance data of KBL range in Amperes

After long term float charge of fully charged cells at +20°C ±5°C (+68°F ± 9°F)

Final Cell Voltage: 1.10 V

Cell Type	C ₅ Ah	Hours							Minutes					Seconds			
		10	8	5	3	2	1.5	1	30	20	15	10	5	60	30	5	1
KBL 8 P	8	0.80	0.99	1.55	2.40	3.13	3.56	3.92	5.15	5.73	6.10	6.81	8.04	9.3	10.7	14.0	15.9
KBL 17 P	17	1.70	2.10	3.30	5.11	6.66	7.56	8.3	10.9	12.2	13.0	14.5	17.1	19.8	22.7	29.7	33.7
KBL 23 P	23	2.30	2.85	4.46	6.91	9.01	10.2	11.3	14.8	16.5	17.5	19.6	23.1	26.7	30.7	40.1	45.6
KBL 34 P	34	3.40	4.21	6.60	10.2	13.3	15.1	16.7	21.9	24.3	25.9	28.9	34.2	39.5	45.4	59.3	67.4
KBL 40 P	40	4.00	4.95	7.76	12.0	15.7	17.8	19.6	25.7	28.6	30.5	34.0	40.2	46.5	53.4	69.8	79.3
KBL 46 P	46	4.60	5.69	8.92	13.8	18.0	20.5	22.5	29.6	32.9	35.1	39.2	46.2	53.5	61.4	80.3	91.2
KBL 55 P	55	5.50	6.80	10.7	16.5	21.5	24.5	27.0	35.4	39.4	41.9	46.8	55.2	63.9	73.4	96.0	109
KBL 70 P	70	7.00	8.67	13.6	21.0	27.3	30.7	33.7	39.2	42.3	46.4	51.1	53.6	72.0	77.3	85.2	93.4
KBL 80 P	80	8.00	9.90	15.5	24.1	31.2	35.1	38.5	44.8	48.3	53.0	58.4	61.3	82.3	88.4	97.4	107
KBL 90 P	90	9.00	11.1	17.4	27.1	35.1	39.5	43.3	50.3	54.4	59.6	65.7	68.9	92.5	99.4	110	120
KBL 100 P	100	10.0	12.3	19.4	30.0	39.2	44.5	48.9	59.2	65.3	66.3	73.0	86.1	105	113	137	153
KBL 112 P	112	11.2	13.9	21.7	33.7	43.7	49.2	53.8	62.7	67.7	74.2	81.7	85.8	115	124	136	149
KBL 125 P	125	12.5	15.5	24.2	37.6	48.8	54.9	60.1	69.9	75.5	82.8	91.2	95.8	129	138	152	167
KBL 135 P	135	13.5	16.7	26.1	40.6	52.7	59.3	64.9	75.5	81.6	89.5	98.5	103	139	149	164	180
KBL 150 P	150	15.0	18.6	29.0	45.1	58.5	65.9	72.1	83.9	90.6	99.4	109	115	154	166	183	200
KBL 160 P	160	16.0	19.8	31.0	48.1	62.5	70.3	76.9	89.5	96.7	106	117	123	165	177	195	214
KBL 170 P	170	17.0	21.0	32.9	51.1	66.4	74.7	81.7	95.1	103	113	124	130	175	188	207	227
KBL 180 P	180	18.0	22.3	34.9	54.1	70.3	79.1	86.5	101	109	119	131	138	185	199	219	240
KBL 200 P	200	20.0	24.8	38.7	60.1	78.1	87.8	96.2	112	121	133	146	153	206	221	243	267
KBL 214 P	214	21.4	26.5	41.4	64.3	83.5	94.0	103	120	129	142	156	164	220	236	260	286
KBL 225 P	225	22.5	27.9	43.6	67.6	87.8	98.8	108	126	136	149	164	172	231	249	274	300
KBL 240 P	240	24.0	29.7	46.5	72.2	93.7	105	115	134	145	159	175	184	247	265	292	320
KBL 255 P	255	25.5	31.6	49.4	76.7	99.5	112	123	143	154	169	186	195	262	282	310	340
KBL 270 P	270	27.0	33.4	52.3	81.2	105	119	130	151	163	179	197	207	278	298	329	360
KBL 280 P	280	28.0	34.7	54.2	84.2	109	123	135	157	169	186	204	215	288	309	341	374
KBL 300 P	300	30.0	37.1	58.1	90.2	117	132	144	168	181	199	219	230	308	331	365	400
KBL 320 P	320	32.0	39.6	62.0	96.2	125	141	154	179	193	212	233	245	329	354	390	427
KBL 340 P	340	34.0	42.1	65.8	102	133	149	163	190	205	225	248	260	350	376	414	454
KBL 360 P	360	36.0	44.6	69.7	108	141	158	173	201	218	239	263	276	370	398	438	480
KBL 380 P	380	38.0	47.0	73.6	114	148	167	183	213	230	252	277	291	391	420	463	507
KBL 400 P	400	40.0	49.5	77.5	120	156	176	192	224	242	265	292	306	411	442	487	534
KBL 415 P	415	41.5	51.4	80.4	125	162	182	200	232	251	275	303	318	427	458	505	554
KBL 435 P	435	43.5	53.9	84.2	131	170	191	209	243	263	288	317	333	447	481	529	581
KBL 450 P	450	45.0	55.7	87.1	135	176	198	216	252	272	298	328	345	463	497	548	601
KBL 460 P	460	46.0	56.9	89.1	138	180	202	221	257	278	305	336	352	473	508	560	614
KBL 480 P	480	48.0	59.4	92.9	144	187	211	231	269	290	318	350	368	494	530	584	641
KBL 500 P	500	50.0	61.9	96.8	150	195	220	240	280	302	331	365	383	514	552	609	667
KBL 510 P	510	51.0	63.1	98.8	153	199	224	245	285	308	338	372	391	524	563	621	681
KBL 550 P	550	55.0	68.1	107	165	215	242	264	308	332	364	401	421	566	608	669	734

Performance data of KBL range in Amperes

After long term float charge of fully charged cells at +20°C ±5°C (+68°F ± 9°F)

Final Cell Voltage: 1.10 V

Cell type	C ₅ Ah	Hours							Minutes					Seconds			
		10	8	5	3	2	1.5	1	30	20	15	10	5	60	30	5	1
KBL 575 P	575	57.5	71.2	111	173	224	253	276	322	347	381	420	441	591	635	700	767
KBL 600 P	600	60.0	74.3	116	180	234	264	288	336	363	398	438	460	617	663	730	801
KBL 635 P	635	63.5	78.6	123	191	248	279	305	355	384	421	463	486	653	701	773	848
KBL 650 P	650	65.0	80.5	126	195	254	285	313	364	393	431	474	498	668	718	791	868
KBL 675 P	675	67.5	83.6	131	203	263	296	325	378	408	447	492	517	694	746	822	901
KBL 690 P	690	69.0	85.4	134	207	269	303	332	386	417	457	503	529	710	762	840	921
KBL 720 P	720	72.0	89.1	139	216	281	316	346	403	435	477	525	552	740	795	876	961
KBL 750 P	750	75.0	92.8	145	225	293	329	361	420	453	497	547	575	771	829	913	1001
KBL 770 P	770	77.0	95.3	149	232	301	338	370	431	465	510	562	590	792	851	937	1028
KBL 800 P	800	80.0	99.0	155	241	312	351	385	448	483	530	584	613	823	884	974	1068
KBL 830 P	830	83.0	103	161	250	324	365	399	464	502	550	606	636	853	917	1010	1108
KBL 860 P	860	86.0	106	167	259	336	378	413	481	520	570	627	659	884	950	1047	1148
KBL 890 P	890	89.0	110	172	268	347	391	428	498	538	590	649	682	915	983	1083	1188
KBL 920 P	920	92.0	114	178	277	359	404	442	515	556	610	671	705	946	1016	1120	1228
KBL 980 P	980	98.0	121	190	295	383	430	471	548	592	649	715	751	1008	1083	1193	1308
KBL 1000 P	1000	100	124	194	301	390	439	481	559	604	663	730	766	1028	1105	1217	1335
KBL 1020 P	1020	102	126	198	307	398	448	490	571	616	676	744	781	1049	1127	1242	1361
KBL 1060 P	1060	106	131	205	319	414	466	510	593	641	702	773	812	1090	1171	1290	1415
KBL 1100 P	1100	110	136	213	331	429	483	529	615	665	729	803	843	1131	1215	1339	1468
KBL 1125 P	1125	113	139	218	338	439	494	541	629	680	745	821	862	1157	1243	1369	1502
KBL 1150 P	1150	115	142	223	346	449	505	553	643	695	762	839	881	1183	1270	1400	1535
KBL 1200 P	1200	120	149	232	361	468	527	577	671	725	795	875	919	1234	1326	1461	1602
KBL 1225 P	1225	123	152	237	368	478	538	589	685	740	812	894	938	1260	1353	1491	1635
KBL 1250 P	1250	125	155	242	376	488	549	601	699	755	828	912	958	1285	1381	1521	1668
KBL 1280 P	1280	128	158	248	385	500	562	615	716	773	848	934	981	1316	1414	1558	1708
KBL 1320 P	1320	132	163	256	397	515	580	635	738	798	875	963	1011	1357	1458	1607	1762
KBL 1360 P	1360	136	168	263	409	531	597	654	761	822	901	992	1042	1398	1502	1655	1815
KBL 1400 P	1400	140	173	271	421	546	615	673	783	846	928	1021	1073	1440	1547	1704	1869
KBL 1450 P	1450	145	180	281	436	566	637	697	811	876	961	1058	1111	1491	1602	1765	1935
KBL 1500 P	1500	150	186	290	451	585	659	721	839	906	994	1094	1149	1542	1657	1826	2002
KBL 1540 P	1540	154	191	298	463	601	676	740	861	931	1020	1124	1180	1584	1701	1874	2055
KBL 1600 P	1600	160	198	310	481	625	703	769	895	967	1060	1167	1226	1645	1768	1948	2136
KBL 1660 P	1660	166	205	321	499	648	729	798	929	1003	1100	1211	1272	1707	1834	2021	2216
KBL 1680 P	1680	168	208	325	505	656	738	808	940	1015	1113	1226	1287	1728	1856	2045	2242

Performance data of KBL range in Amperes

After long term float charge of fully charged cells at +20°C ±5°C (+68°F ± 9°F)

Final Cell Voltage: 1.05 V

Cell Type	C ₅ Ah	Hours							Minutes					Seconds			
		10	8	5	3	2	1.5	1	30	20	15	10	5	60	30	5	1
KBL 8 P	8	0.82	1.01	1.58	2.54	3.42	4.10	4.79	6.43	7.51	8.09	8.96	9.10	11.5	12.9	16.9	19.0
KBL 17 P	17	1.73	2.15	3.37	5.40	7.28	8.70	10.2	13.7	16.0	17.2	19.0	19.3	24.5	27.5	35.9	40.4
KBL 23 P	23	2.35	2.90	4.55	7.31	9.84	11.8	13.8	18.5	21.6	23.3	25.8	26.2	33.1	37.2	48.5	54.6
KBL 34 P	34	3.47	4.29	6.73	10.8	14.6	17.4	20.4	27.3	31.9	34.4	38.1	38.7	49.0	55.0	71.7	80.7
KBL 40 P	40	4.08	5.05	7.92	12.7	17.1	20.5	23.9	32.2	37.6	40.5	44.8	45.5	57.6	64.7	84.4	95.0
KBL 46 P	46	4.69	5.81	9.11	14.6	19.7	23.6	27.5	37.0	43.2	46.5	51.5	52.3	66.2	74.4	97.1	109
KBL 55 P	55	5.61	6.95	10.9	17.5	23.5	28.2	32.9	44.2	51.7	55.6	61.6	62.6	79.2	89.0	116	131
KBL 70 P	70	7.15	8.89	13.9	22.2	29.9	35.7	41.1	50.3	55.6	57.7	64.0	73.1	88.5	95.7	103	112
KBL 80 P	80	8.17	10.2	15.8	25.4	34.2	40.8	46.9	57.5	63.5	65.9	73.2	83.5	101	109	118	128
KBL 90 P	90	9.20	11.4	17.8	28.6	38.5	45.9	52.8	64.7	71.5	74.1	82.3	94.0	114	123	133	144
KBL 100 P	100	10.2	12.6	19.8	31.9	42.9	51.3	59.3	73.5	83.5	89.2	96.7	104	130	141	169	187
KBL 112 P	112	11.4	14.2	22.2	35.6	47.9	57.2	65.7	80.5	88.9	92.2	102	117	142	153	166	180
KBL 125 P	125	12.8	15.9	24.8	39.7	53.4	63.8	73.3	89.8	99.2	103	114	131	158	171	185	201
KBL 135 P	135	13.8	17.1	26.7	42.9	57.7	68.9	79.2	97.0	107	111	123	141	171	184	200	217
KBL 150 P	150	15.3	19.0	29.7	47.6	64.1	76.6	88.0	108	119	124	137	157	190	205	222	241
KBL 160 P	160	16.3	20.3	31.7	50.8	68.4	81.7	93.9	115	127	132	146	167	202	219	237	257
KBL 170 P	170	17.4	21.6	33.7	54.0	72.7	86.8	99.7	122	135	140	155	177	215	232	251	273
KBL 180 P	180	18.4	22.9	35.6	57.2	77.0	91.9	106	129	143	148	165	188	228	246	266	289
KBL 200 P	200	20.4	25.4	39.6	63.5	85.5	102	117	144	159	165	183	209	253	273	296	321
KBL 214 P	214	21.9	27.2	42.4	68.0	91.5	109	126	154	170	176	196	223	271	292	316	343
KBL 225 P	225	23.0	28.6	44.6	71.5	96.2	115	132	162	179	185	206	235	285	307	333	361
KBL 240 P	240	24.5	30.5	47.5	76.2	103	123	141	172	191	198	220	251	304	328	355	385
KBL 255 P	255	26.1	32.4	50.5	81.0	109	130	150	183	202	210	233	266	323	348	377	409
KBL 270 P	270	27.6	34.3	53.5	85.8	115	138	158	194	214	222	247	282	341	369	399	433
KBL 280 P	280	28.6	35.5	55.5	88.9	120	143	164	201	222	231	256	292	354	383	414	449
KBL 300 P	300	30.7	38.1	59.4	95.3	128	153	176	216	238	247	274	313	379	410	443	481
KBL 320 P	320	32.7	40.6	63.4	102	137	163	188	230	254	264	293	334	405	437	473	513
KBL 340 P	340	34.7	43.2	67.3	108	145	174	199	244	270	280	311	355	430	465	503	545
KBL 360 P	360	36.8	45.7	71.3	114	154	184	211	259	286	296	329	376	455	492	532	578
KBL 380 P	380	38.8	48.2	75.3	121	162	194	223	273	302	313	348	397	481	519	562	610
KBL 400 P	400	40.9	50.8	79.2	127	171	204	235	287	318	329	366	418	506	547	591	642
KBL 415 P	415	42.4	52.7	82.2	132	177	212	243	298	329	342	380	433	525	567	614	666
KBL 435 P	435	44.4	55.2	86.1	138	186	222	255	313	345	358	398	454	550	594	643	698
KBL 450 P	450	46.0	57.1	89.1	143	192	230	264	323	357	371	412	470	569	615	665	722
KBL 460 P	460	47.0	58.4	91.1	146	197	235	270	331	365	379	421	480	582	629	680	738
KBL 480 P	480	49.0	60.9	95.1	152	205	245	282	345	381	395	439	501	607	656	710	770
KBL 500 P	500	51.1	63.5	99.0	159	214	255	293	359	397	412	457	522	632	683	739	802
KBL 510 P	510	52.1	64.7	101	162	218	260	299	366	405	420	466	532	645	697	754	818
KBL 550 P	550	56.2	69.8	109	175	235	281	323	395	437	453	503	574	696	752	813	882

Performance data of KBL range in Amperes

After long term float charge of fully charged cells at +20°C ±5°C (+68°F ± 9°F)

Final Cell Voltage: 1.05 V

Cell type	C ₅ Ah	Hours							Minutes					Seconds			
		10	8	5	3	2	1.5	1	30	20	15	10	5	60	30	5	1
KBL 575 P	575	58.8	73.0	114	183	246	294	337	413	457	474	526	600	727	786	850	923
KBL 600 P	600	61.3	76.2	119	191	257	306	352	431	476	494	549	626	759	820	887	963
KBL 635 P	635	64.9	80.6	126	202	272	324	372	456	504	523	581	663	803	868	939	1019
KBL 650 P	650	66.4	82.5	129	206	278	332	381	467	516	535	595	679	822	888	961	1043
KBL 675 P	675	69.0	85.7	134	214	289	345	396	485	536	556	617	705	854	922	998	1083
KBL 690 P	690	70.5	87.6	137	219	295	352	405	496	548	568	631	720	873	943	1020	1107
KBL 720 P	720	73.6	91.4	143	229	308	368	422	517	572	593	659	752	911	984	1064	1155
KBL 750 P	750	76.6	95.2	149	238	321	383	440	539	595	618	686	783	949	1025	1109	1203
KBL 770 P	770	78.7	97.8	152	245	329	393	452	553	611	634	704	804	974	1052	1138	1235
KBL 800 P	800	81.7	102	158	254	342	408	469	575	635	659	732	835	1012	1093	1183	1283
KBL 830 P	830	84.8	105	164	264	355	424	487	596	659	684	759	867	1050	1134	1227	1332
KBL 860 P	860	87.9	109	170	273	368	439	504	618	683	708	787	898	1088	1175	1271	1380
KBL 890 P	890	90.9	113	176	283	381	454	522	639	707	733	814	929	1126	1216	1316	1428
KBL 920 P	920	94.0	117	182	292	393	470	540	661	730	758	842	961	1164	1257	1360	1476
KBL 980 P	980	100	124	194	311	419	500	575	704	778	807	896	1023	1239	1339	1449	1572
KBL 1000 P	1000	102	127	198	318	428	510	587	718	794	824	915	1044	1265	1367	1478	1604
KBL 1020 P	1020	104	129	202	324	436	521	598	733	810	840	933	1065	1290	1394	1508	1636
KBL 1060 P	1060	108	135	210	337	453	541	622	762	842	873	970	1107	1341	1449	1567	1701
KBL 1100 P	1100	112	140	218	349	470	562	645	790	873	906	1006	1148	1391	1503	1626	1765
KBL 1125 P	1125	115	143	223	357	481	574	660	808	893	927	1029	1175	1423	1537	1663	1805
KBL 1150 P	1150	118	146	228	365	492	587	675	826	913	947	1052	1201	1454	1572	1700	1845
KBL 1200 P	1200	123	152	238	381	513	613	704	862	953	988	1098	1253	1518	1640	1774	1925
KBL 1225 P	1225	125	156	243	389	524	625	719	880	973	1009	1120	1279	1549	1674	1811	1965
KBL 1250 P	1250	128	159	248	397	534	638	733	898	992	1029	1143	1305	1581	1708	1848	2005
KBL 1280 P	1280	131	163	253	407	547	653	751	920	1016	1054	1171	1336	1619	1749	1892	2054
KBL 1320 P	1320	135	168	261	419	564	674	774	948	1048	1087	1207	1378	1669	1804	1951	2118
KBL 1360 P	1360	139	173	269	432	582	694	798	977	1080	1120	1244	1420	1720	1859	2011	2182
KBL 1400 P	1400	143	178	277	445	599	715	821	1006	1112	1153	1281	1462	1771	1913	2070	2246
KBL 1450 P	1450	148	184	287	461	620	740	851	1042	1151	1194	1326	1514	1834	1981	2144	2326
KBL 1500 P	1500	153	190	297	476	641	766	880	1078	1191	1235	1372	1566	1897	2050	2217	2407
KBL 1540 P	1540	157	196	305	489	658	786	903	1106	1223	1268	1409	1608	1948	2104	2277	2471
KBL 1600 P	1600	163	203	317	508	684	817	939	1150	1270	1318	1463	1670	2024	2186	2365	2567
KBL 1660 P	1660	170	211	329	527	710	847	974	1193	1318	1367	1518	1733	2099	2268	2454	2663
KBL 1680 P	1680	172	213	333	534	718	858	985	1207	1334	1384	1537	1754	2125	2296	2484	2695

Performance data of KBL range in Amperes

After long term float charge of fully charged cells at +20°C ±5°C (+68°F ± 9°F)

Final Cell Voltage: 1.00 V

Cell Type	C ₅ Ah	Hours							Minutes					Seconds			
		10	8	5	3	2	1.5	1	30	20	15	10	5	60	30	5	1
KBL 8 P	8	0.82	1.02	1.60	2.59	3.57	4.46	5.65	7.57	8.56	9.27	9.98	12.61	14.3	15.9	20.4	23.0
KBL 17 P	17	1.74	2.17	3.40	5.51	7.59	9.47	12.0	16.1	18.2	19.7	21.2	26.8	30.3	33.7	43.3	48.9
KBL 23 P	23	2.36	2.93	4.60	7.45	10.3	12.8	16.2	21.8	24.6	26.7	28.7	36.3	41.1	45.6	58.6	66.1
KBL 34 P	34	3.49	4.33	6.80	11.0	15.2	18.9	24.0	32.2	36.4	39.4	42.4	53.6	60.7	67.4	86.7	97.7
KBL 40 P	40	4.10	5.10	8.00	13.0	17.9	22.3	28.3	37.8	42.8	46.4	49.9	63.1	71.4	79.3	102	115
KBL 46 P	46	4.72	5.86	9.20	14.9	20.5	25.6	32.5	43.5	49.2	53.3	57.4	72.5	82.1	91.2	117	132
KBL 55 P	55	5.64	7.01	11.0	17.8	24.6	30.6	38.8	52.0	58.8	63.8	68.6	86.7	98.2	109	140	158
KBL 70 P	70	7.22	8.92	14.0	22.7	31.2	38.9	47.3	59.5	66.7	71.6	76.9	88.3	109	118	126	135
KBL 80 P	80	8.26	10.2	16.0	25.9	35.6	44.4	54.1	68.0	76.2	81.8	87.9	101	125	135	144	155
KBL 90 P	90	9.29	11.5	18.0	29.1	40.1	50.0	60.8	76.4	85.7	92.1	98.9	113	140	151	162	174
KBL 100 P	100	10.3	12.7	20.0	32.4	44.6	55.7	69.3	86.8	98.1	104	110	132	160	173	205	228
KBL 112 P	112	11.6	14.3	22.4	36.2	49.9	62.2	75.7	95.1	107	115	123	141	174	188	202	217
KBL 125 P	125	12.9	15.9	25.0	40.5	55.7	69.4	84.5	106	119	128	137	158	195	210	225	242
KBL 135 P	135	13.9	17.2	27.0	43.7	60.1	74.9	91.3	115	129	138	148	170	210	227	243	261
KBL 150 P	150	15.5	19.1	30.0	48.5	66.8	83.3	101	127	143	153	165	189	234	252	270	290
KBL 160 P	160	16.5	20.4	32.0	51.8	71.3	88.8	108	136	152	164	176	202	249	269	288	310
KBL 170 P	170	17.5	21.7	34.0	55.0	75.7	94.4	115	144	162	174	187	214	265	286	306	329
KBL 180 P	180	18.6	22.9	36.0	58.3	80.2	99.9	122	153	171	184	198	227	280	303	324	348
KBL 200 P	200	20.6	25.5	40.0	64.7	89.1	111	135	170	190	205	220	252	312	336	360	387
KBL 214 P	214	22.1	27.3	42.8	69.3	95.3	119	145	182	204	219	235	270	333	360	385	414
KBL 225 P	225	23.2	28.7	45.0	72.8	100	125	152	191	214	230	247	284	351	378	405	435
KBL 240 P	240	24.8	30.6	48.0	77.7	107	133	162	204	229	245	264	303	374	404	432	464
KBL 255 P	255	26.3	32.5	51.0	82.5	114	142	172	217	243	261	280	322	397	429	459	493
KBL 270 P	270	27.9	34.4	54.0	87.4	120	150	183	229	257	276	297	340	421	454	486	522
KBL 280 P	280	28.9	35.7	56.0	90.6	125	155	189	238	267	286	308	353	436	471	504	542
KBL 300 P	300	31.0	38.2	60.0	97.1	134	167	203	255	286	307	330	378	467	505	540	580
KBL 320 P	320	33.0	40.8	64.0	104	143	178	216	272	305	327	352	404	499	538	576	619
KBL 340 P	340	35.1	43.3	68.0	110	151	189	230	289	324	348	374	429	530	572	612	658
KBL 360 P	360	37.1	45.9	72.0	117	160	200	243	306	343	368	396	454	561	606	648	696
KBL 380 P	380	39.2	48.4	76.0	123	169	211	257	323	362	389	418	479	592	639	684	735
KBL 400 P	400	41.3	51.0	80.0	129	178	222	270	340	381	409	440	504	623	673	720	774
KBL 415 P	415	42.8	52.9	83.0	134	185	230	281	353	395	424	456	523	647	698	747	803
KBL 435 P	435	44.9	55.4	87.0	141	194	241	294	370	414	445	478	549	678	732	783	842
KBL 450 P	450	46.4	57.3	90.0	146	200	250	304	382	429	460	495	567	701	757	810	871
KBL 460 P	460	47.5	58.6	92.0	149	205	255	311	391	438	471	505	580	717	774	828	890
KBL 480 P	480	49.5	61.1	96.0	155	214	266	325	408	457	491	527	605	748	807	864	929
KBL 500 P	500	51.6	63.7	100	162	223	278	338	425	476	511	549	630	779	841	900	967
KBL 510 P	510	52.6	65.0	102	165	227	283	345	433	486	522	560	643	795	858	918	987
KBL 550 P	550	56.8	70.1	110	178	245	305	372	467	524	563	604	694	857	925	990	1064

Performance data of KBL range in Amperes

After long term float charge of fully charged cells at +20°C ±5°C (+68°F ± 9°F)

Final Cell Voltage: 1.00 V

Cell Type	C ₅ Ah	Hours							Minutes					Seconds			
		10	8	5	3	2	1.5	1	30	20	15	10	5	60	30	5	1
KBL 575 P	575	59.3	73.2	115	186	256	319	389	488	548	588	632	725	896	967	1035	1112
KBL 600 P	600	61.9	76.4	120	194	267	333	406	510	571	614	659	757	935	1009	1080	1161
KBL 635 P	635	65.5	80.9	127	206	283	353	429	539	605	650	698	801	989	1068	1143	1229
KBL 650 P	650	67.1	82.8	130	210	290	361	439	552	619	665	714	820	1013	1093	1170	1258
KBL 675 P	675	69.7	86.0	135	218	301	375	456	573	643	690	742	851	1052	1135	1215	1306
KBL 690 P	690	71.2	87.9	138	223	307	383	466	586	657	706	758	870	1075	1161	1242	1335
KBL 720 P	720	74.3	91.7	144	233	321	400	487	612	686	736	791	908	1122	1211	1296	1393
KBL 750 P	750	77.4	95.5	150	243	334	416	507	637	714	767	824	946	1169	1262	1350	1451
KBL 770 P	770	79.5	98.1	154	249	343	427	521	654	733	788	846	971	1200	1295	1386	1490
KBL 800 P	800	82.6	102	160	259	356	444	541	680	762	818	879	1009	1246	1346	1440	1548
KBL 830 P	830	85.6	106	166	269	370	461	561	705	790	849	912	1047	1293	1396	1494	1606
KBL 860 P	860	88.7	110	172	278	383	477	581	731	819	880	945	1084	1340	1447	1548	1664
KBL 890 P	890	91.8	113	178	288	396	494	602	756	848	910	978	1122	1387	1497	1602	1722
KBL 920 P	920	94.9	117	184	298	410	511	622	781	876	941	1011	1160	1433	1548	1656	1780
KBL 980 P	980	101	125	196	317	436	544	663	832	933	1002	1077	1236	1527	1649	1764	1896
KBL 1000 P	1000	103	127	200	324	445	555	676	849	952	1023	1099	1261	1558	1682	1800	1935
KBL 1020 P	1020	105	130	204	330	454	566	690	866	971	1043	1121	1286	1589	1716	1836	1973
KBL 1060 P	1060	109	135	212	343	472	588	717	900	1009	1084	1165	1337	1651	1783	1908	2051
KBL 1100 P	1100	114	140	220	356	490	611	744	934	1048	1125	1209	1387	1714	1850	1980	2128
KBL 1125 P	1125	116	143	225	364	501	625	761	956	1071	1151	1236	1419	1753	1892	2025	2177
KBL 1150 P	1150	119	146	230	372	512	638	777	977	1095	1176	1264	1450	1792	1935	2070	2225
KBL 1200 P	1200	124	153	240	388	534	666	811	1019	1143	1227	1319	1513	1870	2019	2160	2322
KBL 1225 P	1225	126	156	245	396	546	680	828	1041	1167	1253	1346	1545	1909	2061	2205	2370
KBL 1250 P	1250	129	159	250	405	557	694	845	1062	1190	1279	1374	1576	1948	2103	2250	2418
KBL 1280 P	1280	132	163	256	414	570	711	865	1087	1219	1309	1407	1614	1994	2153	2304	2476
KBL 1320 P	1320	136	168	264	427	588	733	892	1121	1257	1350	1451	1664	2057	2220	2376	2554
KBL 1360 P	1360	140	173	272	440	606	755	919	1155	1295	1391	1495	1715	2119	2288	2448	2631
KBL 1400 P	1400	144	178	280	453	624	777	947	1189	1333	1432	1538	1765	2181	2355	2520	2709
KBL 1450 P	1450	150	185	290	469	646	805	980	1232	1381	1483	1593	1828	2259	2439	2610	2805
KBL 1500 P	1500	155	191	300	485	668	833	1014	1274	1429	1534	1648	1891	2337	2523	2700	2902
KBL 1540 P	1540	159	196	308	498	686	855	1041	1308	1467	1575	1692	1942	2399	2591	2772	2979
KBL 1600 P	1600	165	204	320	518	713	888	1082	1359	1524	1637	1758	2018	2493	2692	2880	3096
KBL 1660 P	1660	171	211	332	537	739	922	1122	1410	1581	1698	1824	2093	2586	2792	2988	3212
KBL 1680 P	1680	173	214	336	544	748	933	1136	1427	1600	1718	1846	2118	2617	2826	3024	3250

Battery Arrangement as per Standard Rack Designs

(NORMAL ARRANGEMENT)																
Container size reference	1TIER								2TIER							
	1STEP		2STEP		3STEP		4STEP		1STEP		2STEP		3STEP		4STEP	
	W	H	W	H	W	H	W	H	W	H	W	H	W	H	W	H
B21-1 / B22-1 B23-1 / B24-1			318	703	467	818	616	933			318	1225	467	1425	616	1675
B31-1 / B31B-1 B32-1 / B33-1			440	788	650	903	860	1018			440	1425	650	1645	860	1875
B41-1 / B41B-1 B42-1 / B42A-1 B43-1 / B44-1 B45-1 / B42A-2 B42-2 / B41B-2			440	844	650	959	860	1074			440	1550	650	1800	860	2050

(CROSS - WISE ARRANGEMENT)																
Container size reference	1TIER								2TIER							
	1STEP		2STEP		3STEP		4STEP		1STEP		2STEP		3STEP		4STEP	
	W	H	W	H	W	H	W	H	W	H	W	H	W	H	W	H
B32-2			318	788	467	903	616	1018			318	1425	467	1645	616	1875
B31B-2			376	788	554	903	732	1018			376	1425	554	1645	732	1875
B31-2			440	788	650	903	860	1018			440	1425	650	1645	860	1875
B31-3			586	788	869	903					586	1425	869	1645		
B41B-2			376	844	554	959	732	1074			376	1550	554	1800	732	2050
B41B-3			534	844	791	959					534	1550	791	1800		
B41B-4			658	844	977	959					658	1550	977	1800		
B41B-5			804	844							804	1550				
B41-2			440	844	650	959	860	1074			440	1550	650	1800	860	2050
B41-3			586	844	869	959					586	1550	869	1800		
B41-4			754	844							754	1550				
B41-5			924	844					472	1320	924	1550				
B41-6	557	729	1094	844					557	1320						

(All dimensions in mm. Height is including cells)

Evaluation of Rack Length

Length of Rack = (X + 5) x No. of block cells in a row (for all block cells)

Where X = Length of cell / block cell for length-wise mounting (KBH 9-118 / KBM 12-390 / KBL 8-460)

= Width of cell / block cell for cross-wise mounting (KBH 127 & above / KBM 400 & above / KBL 480 & above)

The value of length should be rounded-off to nearest to 100 mm and 5 mm should be added to arrive at the final length of rack.



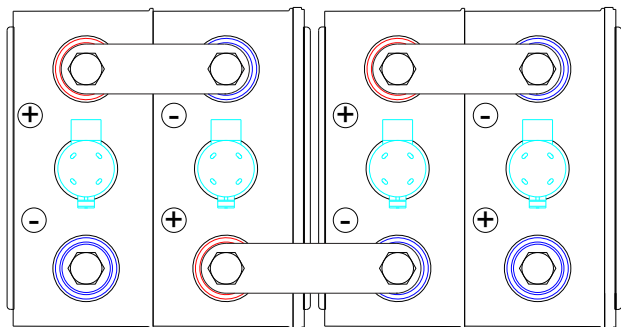
Standard Arrangement of Cells

Following standard arrangement and connection methods of cells are recommended by HBL for optimum efficiency. These configuration methods shall be followed for the cells being installed on racks, cabinets, crates or simply freestanding battery cells.

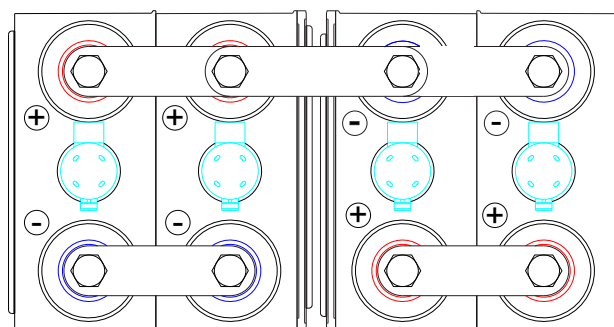
ARRANGEMENT	KBH	KBM	KBL
Normal	9 to 118 Ah	12 to 390Ah	8 to 460 Ah
Cross - wise	127 to 990 Ah	400 to 1460 Ah	480 to 1680 Ah

KBH 9 - KBH 118
KBM 12 - KBM 241
KBL 8 - KBL 270

KBM 250 - KBM 390
KBL 280 - KBL 460

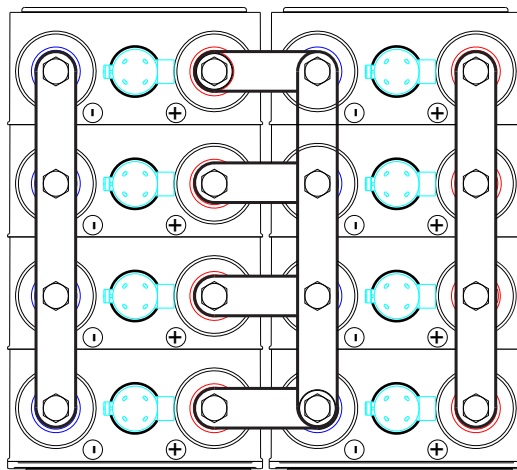


Normal Arrangement



Normal Arrangement

KBH 127 - KBH 990
KBM 400 - KBM 1460
KBL 480 - KBL 1680

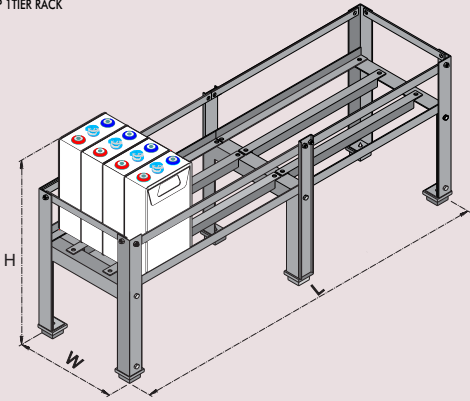


Cross - wise Arrangement

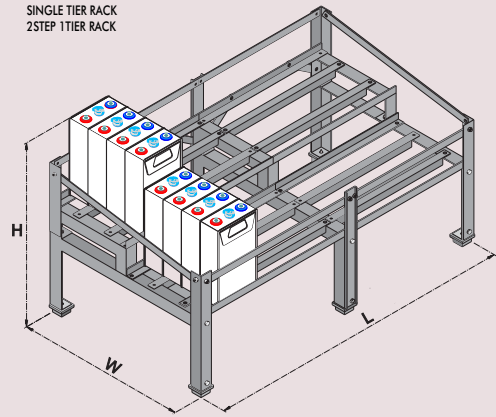


Battery Rack Arrangement

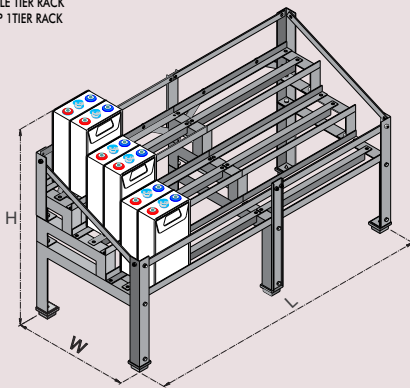
SINGLE TIER RACK
1STEP 1TIER RACK



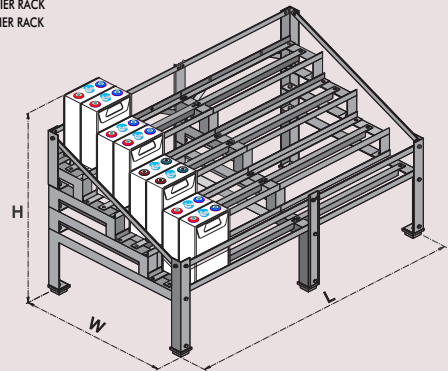
SINGLE TIER RACK
2STEP 1TIER RACK



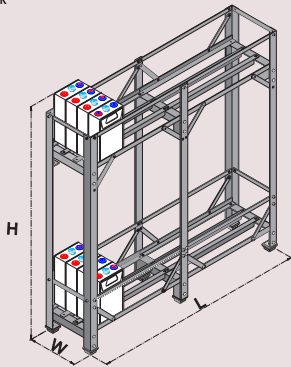
SINGLE TIER RACK
3STEP 1TIER RACK



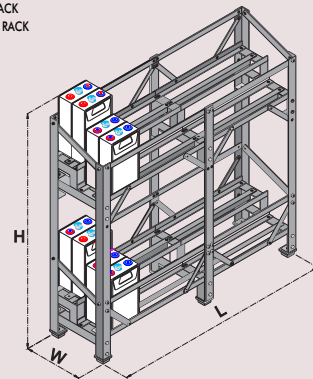
SINGLE TIER RACK
4STEP 1TIER RACK



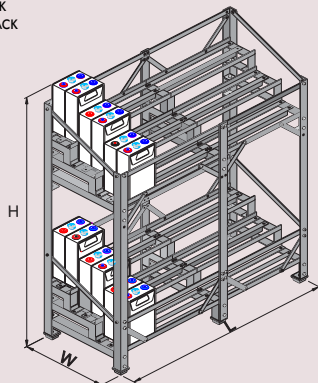
TWO TIER RACK
1STEP 2TIER RACK



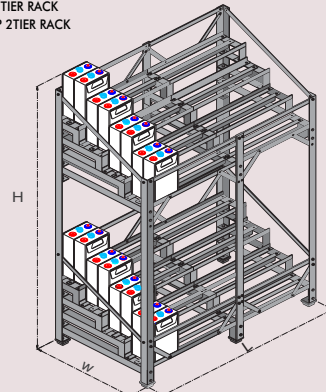
TWO TIER RACK
2STEP 2TIER RACK



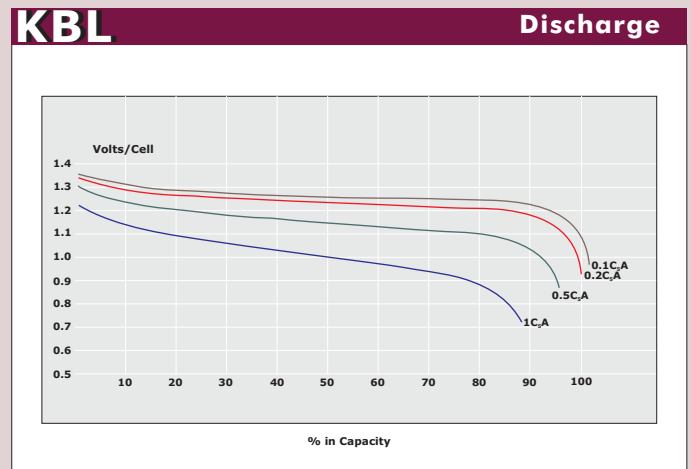
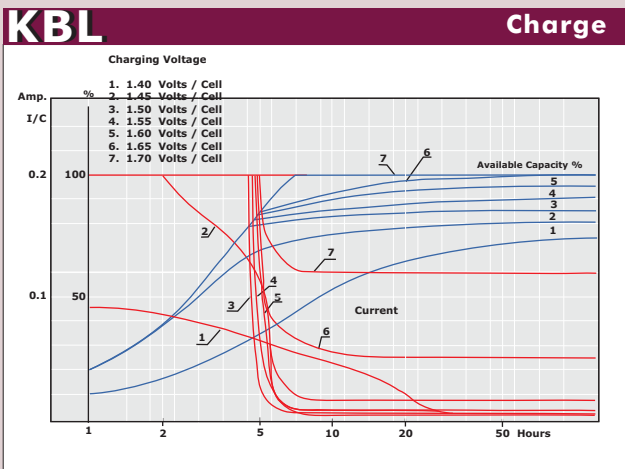
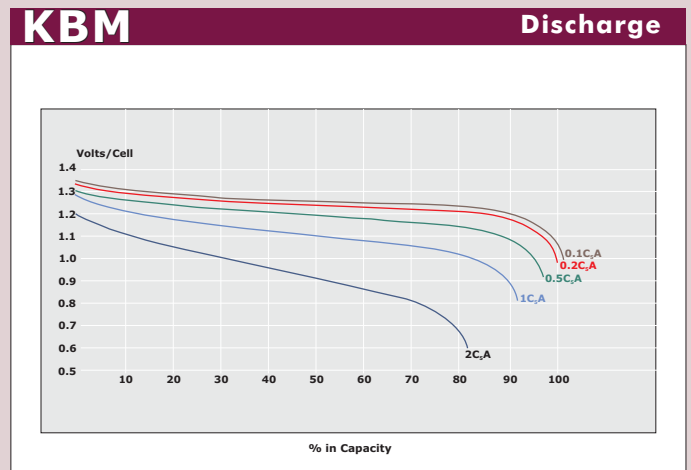
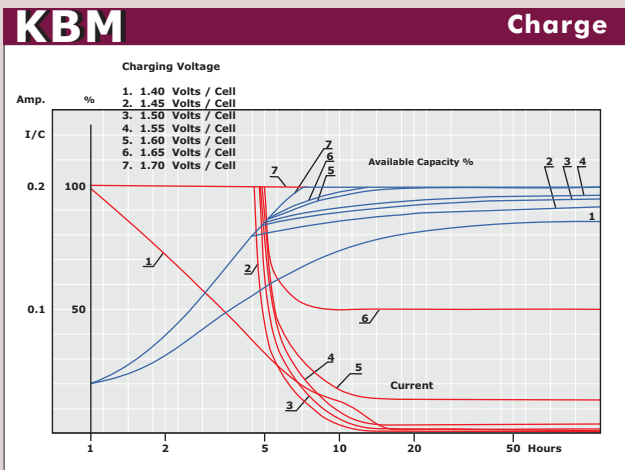
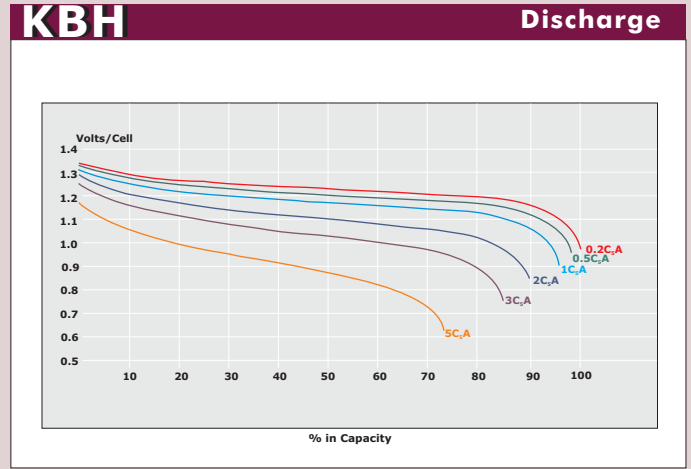
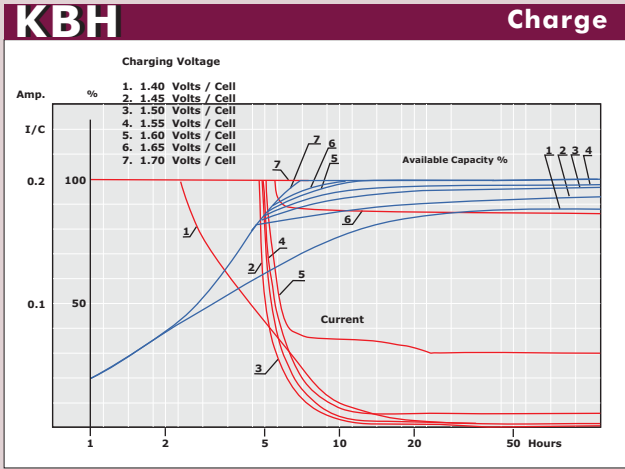
TWO TIER RACK
3STEP 2TIER RACK



TWO TIER RACK
4STEP 2TIER RACK



Typical Characteristics



Certifications

