



Liebert®

Network Power Switch



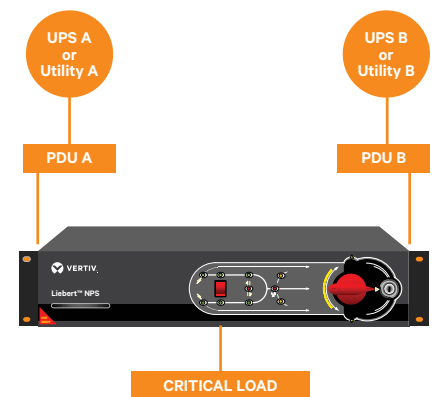
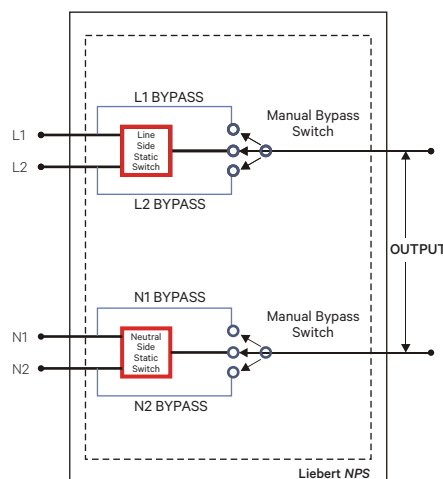
FEATURES

- Manual and automatic transfers
- Sense and Transfer time: Less than 6 milliseconds
- Hot Swappable Electronic Static Switching Module
- Break-before Make-switching
- Selectable Preferred Sources
- Selectable Auto/Manual Retransfer
- Redundant Control Power Supplies
- Natural Convection Cooling.
- Live Mimic On Hot Swappable Unit For Indicating Load Supply Status & Alarms.
- Make Before Break Manual Bypass Switch To Transfer Load From Static Switch To Direct Source 1 Or Source 2.
- Isolated neutrals
- Standard Voltage free contacts for alarm extension.

Uniquely Ensures High Power Availability Solution

If your critical electronic equipment demands the reliability of redundant power sources upto the point of actual consumption, Vertiv has a unique and dependable solution.

Vertiv's Liebert NPS provides rapid switching between two independent AC power sources, for uninterrupted operation of critical electronic equipment. Liebert NPS proven power switching technology allows dual AC power paths all the way upto the critical load, for the ultimate in AC power system redundancy, power availability and fault tolerance.



DESIGNED FOR HIGH NINES AVAILABILITY

- Break- Before - Make switching eliminates any possibility of connecting the two independent power sources together, even under fault conditions.
- Diagnostics and transfer tests detect any potential switch failures before the problem becomes critical.

RAPID OPERATION

- Network Power Switch transfer time of six milliseconds is invisible to sensitive electronic equipment. (As per IEEE Standard 446 susceptibility curve for IT component)
- Automatic transfer protects the critical load as soon as a problem is detected on the power source by switching to the alternative supply.
- Manual transfer allows power sources to be switched whenever required for scheduled source shutdowns or maintenance.

Many data processing, telecommunications and similar critical systems are designed for continuous operation, frequently without tolerance for even scheduled downtime. Hence a dual AC power sourcing is essential, which has a reliable switching mechanism to support it. However, the right switching is vital.

- The transfer switch must use proven technology and design features for dependable operation.
- It must operate rapidly to avoid 'fast' power faults such as UPS system circuit breaker trips, insulation failures, or operator errors on one system reaching other systems.
- It must be easy to configure, install, operate and maintain, to ensure continuous uptime.
- A dual power system which is inherently reliable, fast and convenient will provide the vital supply of continuous power which your critical electronics demand - if the switching is right.

Modelled on proven UPS technology, the Liebert NPS power transfer switch is installed in the most effective position - close to the protected equipment. This ensures redundant power paths are available right up to the load.

Mechanical specifications		
Mechanicals Characteristics	Units	Description
Height	mm	88.0
Width	mm	431.0
Depth	mm	457.0
Weight	kg	8.0
Colour		Matt Black
Installation		19" Rack Mounted Floor Table Top
Cable Entry		Rear Entry

Environmental Specifications		
Environmental Characteristics	Units	Description
Heat Dissipation	W	75
Storage Temp. Range	°C	-40 to 60°C
Operating Temp. Range	°C	0 to 60°C
Relative Humidity	%	0 to 95%
Operating Altitude	m	Upto 1500m (5,000 ft)
Storage/Transport Altitude	m	Upto 1200m (4,000 ft)
Audible Noise	db	< 45 db at 1.5 m

Electrical Specifications		
Electrical Characteristics	Units	Description
Nominal Input Voltage	Volts	220, 230 or 240 volts single phase, 2 W + G, 50 Hz. Solidly grounded power sources.
Nominal Output Current	Amps	25 32
Frequency	Hz	50/60
Source Unhealthy Status	-	Guaranteed Transfer to alternate source within + 10 to -15% of Vnominal
Load Power Factor Range	-	0.5 to unity leading or lagging
Load Crest Factor	-	Upto 3.5
In-Phase transfer window	-	Adjustable from 7.5 +1- 1°
Source Voltage Distortion	%	Upto 1% THD
Overload Capacity	%	125% of continuous current for 2 hrs, 1000% for cycles minimum
Over Current Protection	-	By semi conductor fuse
Short Circuit Withstand Capability	Amps	Upto 20,000 symmetrical amps, protected by internal fusing
Redundant Control Power	-	Taken from available source 1 and source 2 Supplies
Integral Maintenance Bypass	-	Make Before Break Operation



VertivCo.com | E-mail : marketing.india@vertivco.com | Toll free : 1-800-2096070

Vertiv Energy Private Limited | Plot C-20, Rd No.19, Wagle Ind Estate, Thane (W), 400604. India

© 2017 Vertiv Co. All rights reserved.